

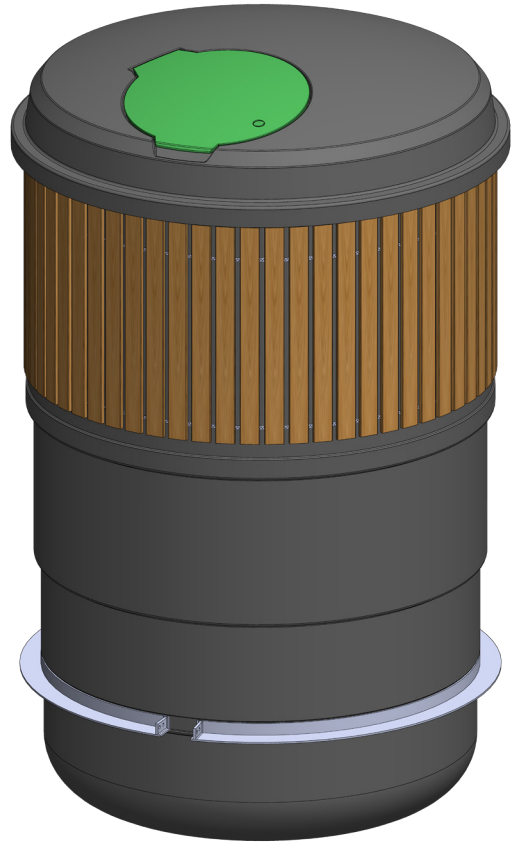
ZBin 5000 Maxi



Technical data

Part	Material	Weight
Container	Polyethylene	130 kg
Cover	Polyethylene	30 kg
Filling lid	Polyethylene	3 kg
Lifting bag	Polypropylene	6 kg
Metal rings (3)	Aluminium	26 kg
Total		195 kg

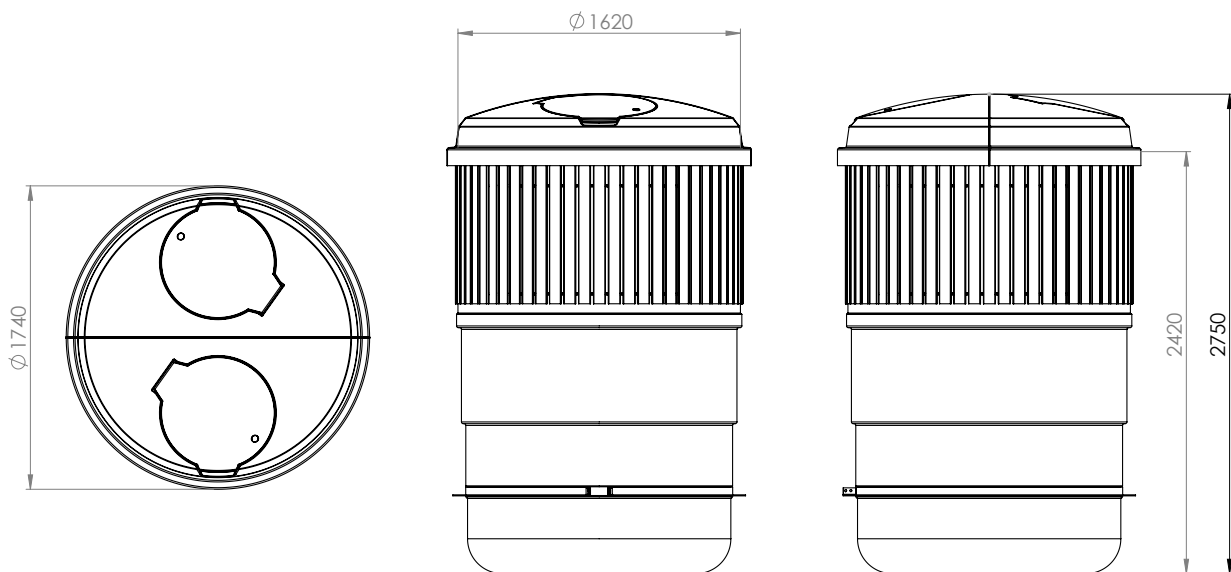
Fill volume	5.000 Litre
Access opening	max Ø 560 mm



Options

- locking: filling lid, cover
- Framing: wood, composite, aluminium, perforated metal, custom print
- Hinge: hinge with gas spring for large lid
- Lifting bag: standard bag, reinforced bag, hybrid bag, hard plastic container, hard metal container

Dimensions



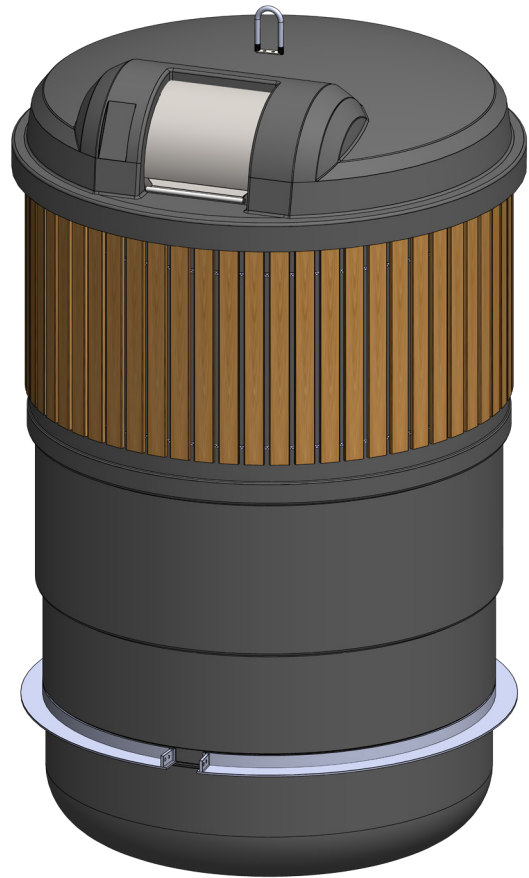
ZBin 5000 Maxi double drum



Technical data

Part	Material	Weight
Container	Polyethylene	130 kg
Cover	Polyethylene	30 kg
Filling lid	Polyethylene	3 kg
Lifting bag	Polypropylene	6 kg
Metal rings (3)	Aluminium	26 kg
H-frame	Aluminium	18 kg
Total		195 kg

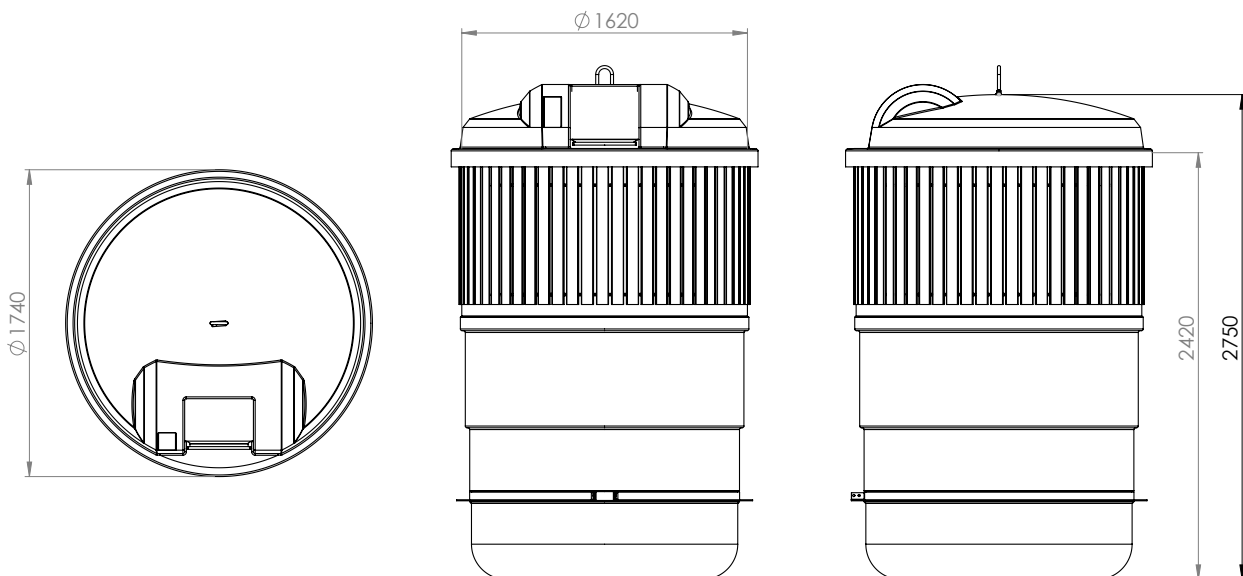
Fill volume	5.000 Litre
Access opening	66 Litre /100 Litre



Options

- locking: ELoc for drum
- Framing: wood, composite, aluminium, perforated metal, custom print
- Lifting bag: standard bag, reinforced bag, hybrid bag, hard plastic container, hard metal container
- Volume reducer plate

Dimensions



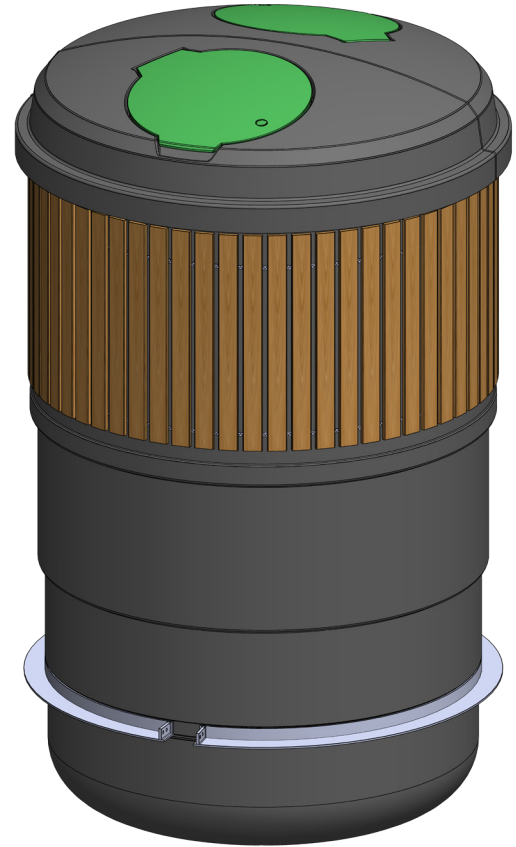
ZBin 5000 Maxi double filling lid



Technical data

Part	Material	Weight
Container	Polyethylene	130 kg
Cover	Polyethylene	30 kg
Filling lids	Polyethylene	6 kg
Lifting bag	Polypropylene	6 kg
Metal rings (3)	Aluminium	26 kg
Total		198 kg

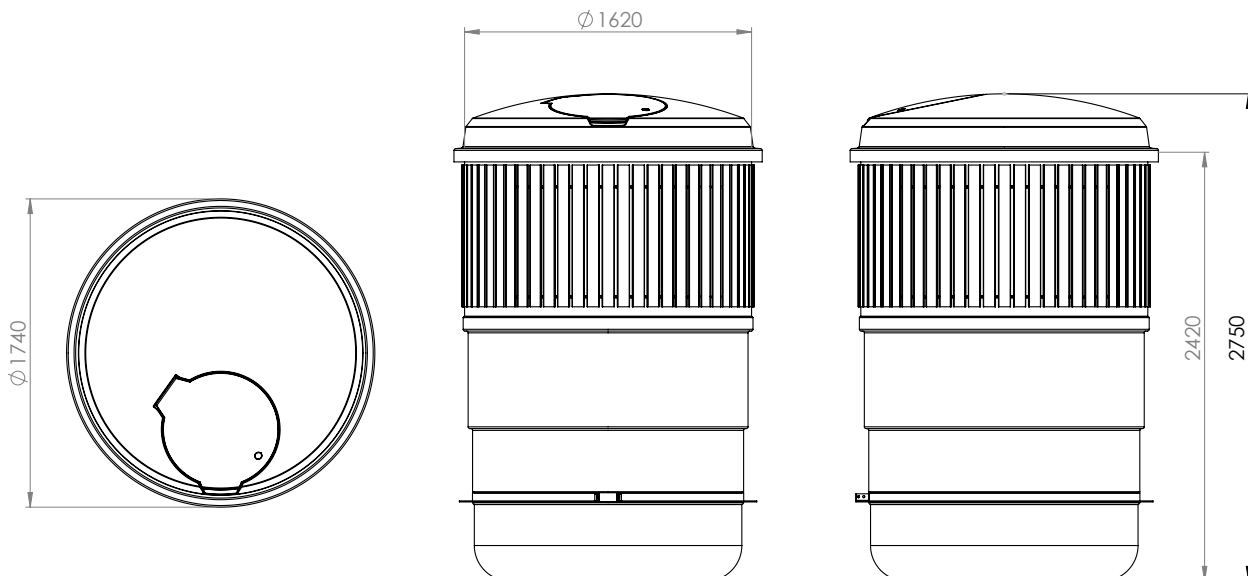
Fill volume	5.000 Litre
Access openings	max Ø 560 mm



Options

- locking: filling lids, cover
- Framing: wood, composite, aluminium, perforated metal, custom print
- Hinge: hinge with gas spring for large lid
- Lifting bag: multi fraction bags

Dimensions



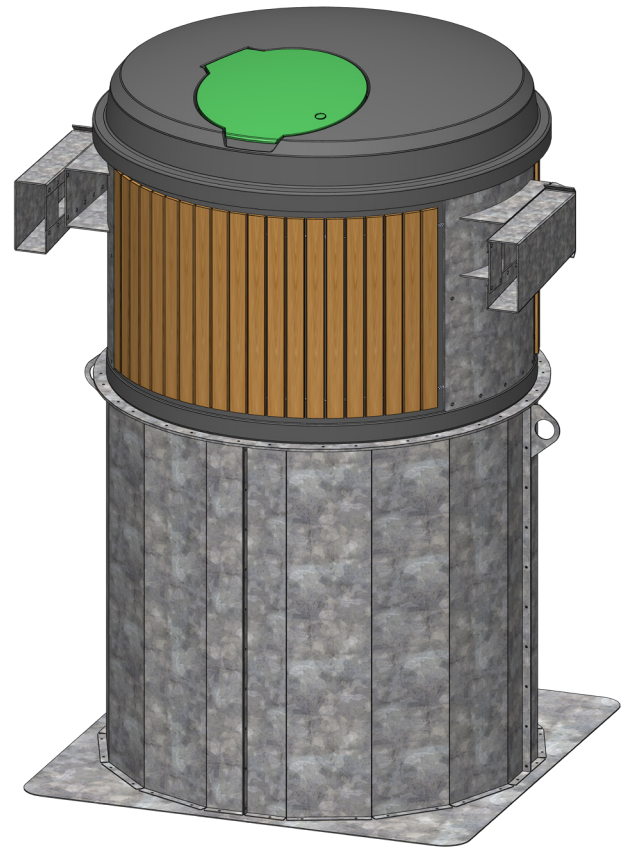
ZBin 5000 Frontloader Maxi



Technical data

Part	Material	Weight
Container	Polyethylene	130 kg
Cover	Polyethylene	30 kg
Filling lid	Polyethylene	6 kg
Metal rings	Aluminium	8 kg
Front loading	Galvanised steel	70 kg
Total		244 kg

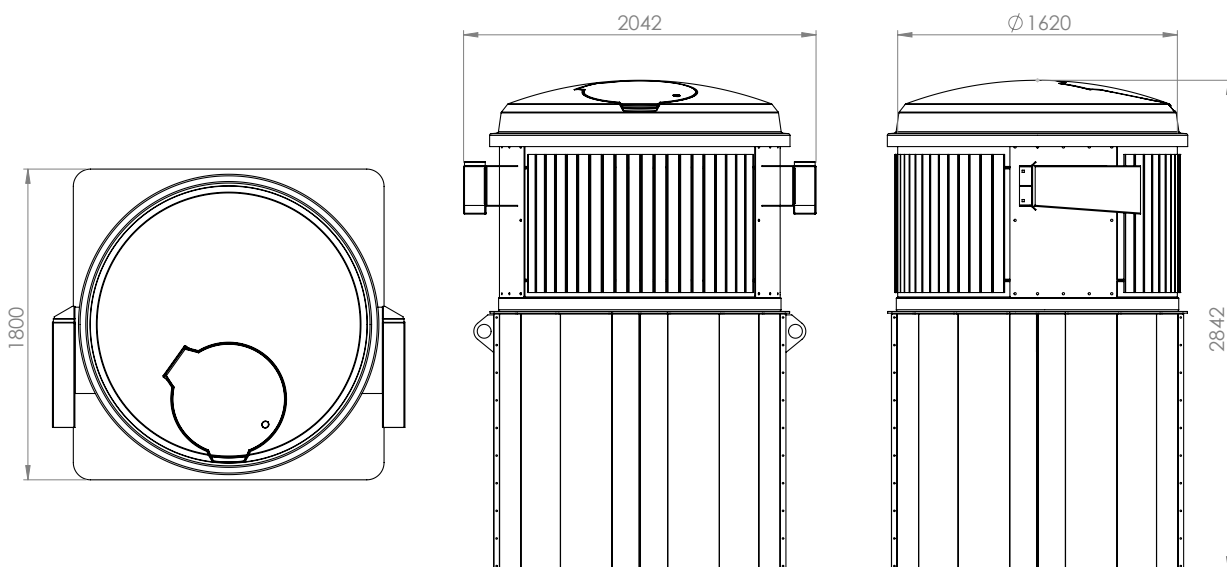
Fill volume	5000 Litre
Access opening	max Ø 560 mm



Options

- locking: filling lid, cover
- Framing: wood, composite, aluminium, perforated metal, custom print
- Hinge: hinge with gas spring for large lid

Dimensions



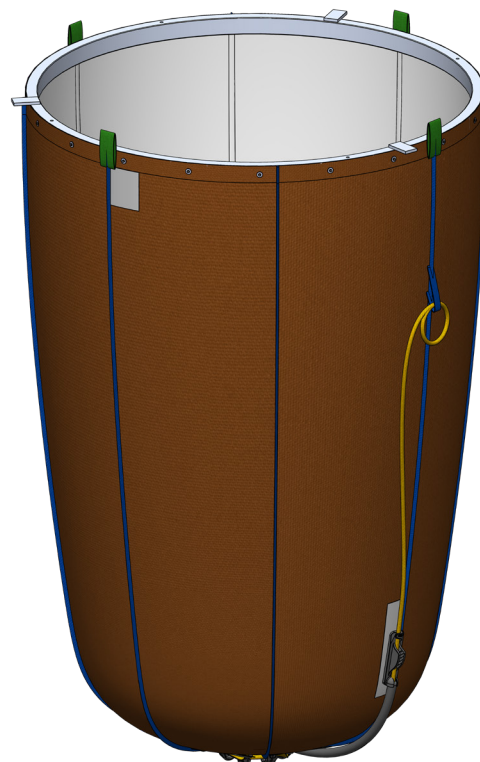
DZC5000 Maxi



Technical data

Part	Material	Weight
Outside bag	Polypropylene	4 kg
Inside liner	Polypropylene	3 kg
Lifting ring	aluminium	7 kg
Rope	PE + PP	0.2 kg
Clamp	GF Polyamide	0.5 kg
Total		14,7 kg

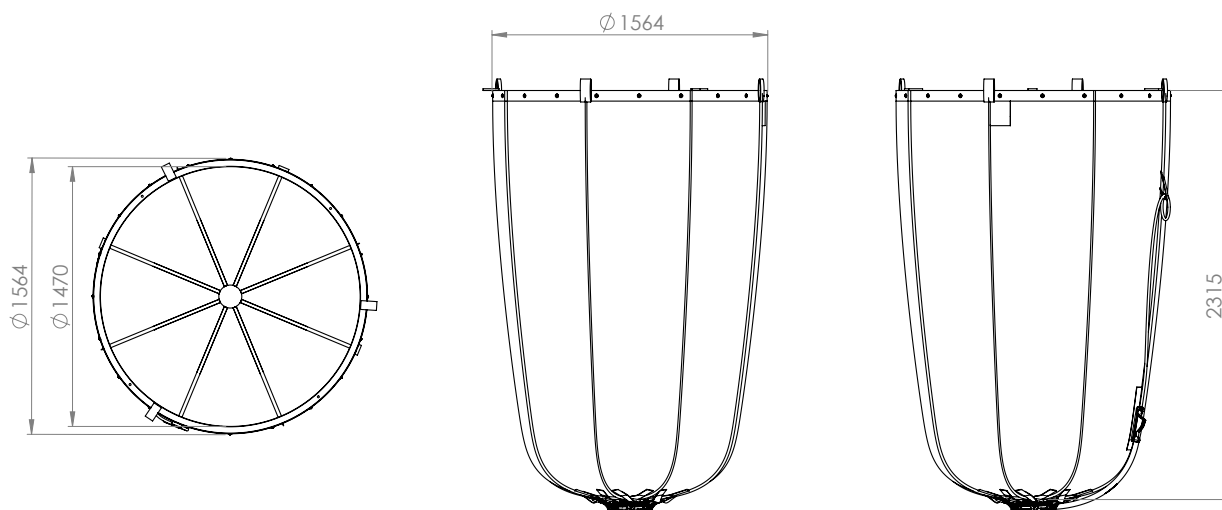
Fill volume	5000 Litre
Safe Working Load (SWL)	1250 kg
ISO 21898 certified	



Options

- Lifting 4 x lifting loops, single hook

Dimensions



DZCG5000 Maxi



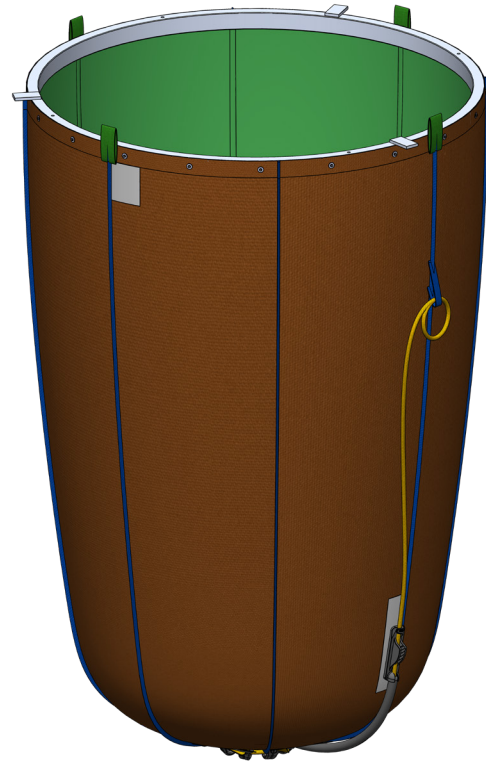
Technical data

Part	Material	Weight
Outside bag	Polypropylene	4 kg
Inside liner	Reinforced PVC	7 kg
Lifting ring	Aluminium	7 kg
Rope	PE + PP	0.2 kg
Clamp	GF Polyamide	0.5 kg
Total		18,7 kg

Fill volume 5000 Litre

Safe Working Load (SWL) 1250 kg

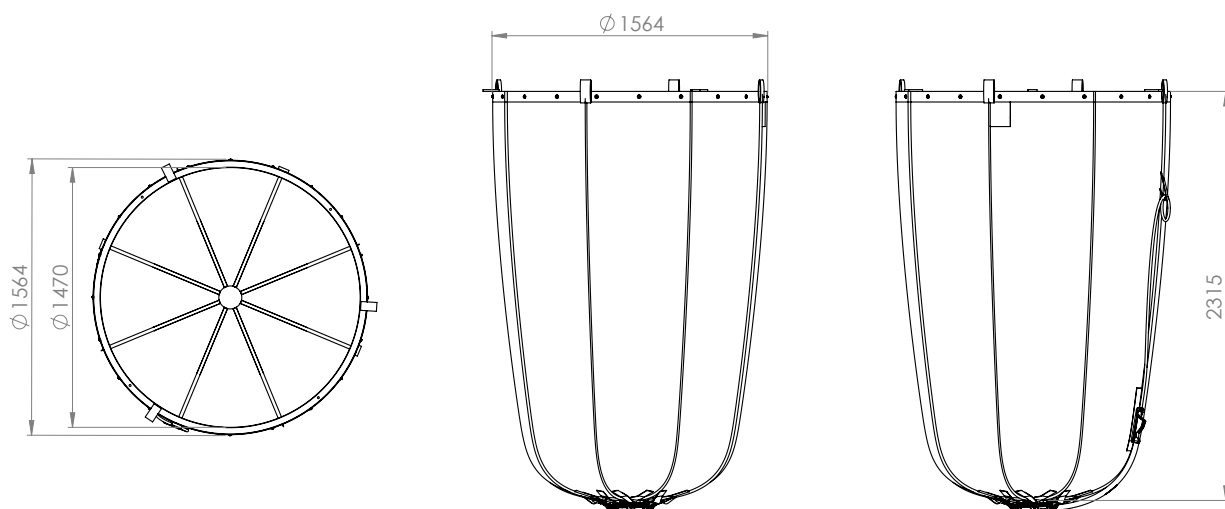
ISO 21898 certified



Options

- Lifting: 4 x lifting loops, single hook

Dimensions



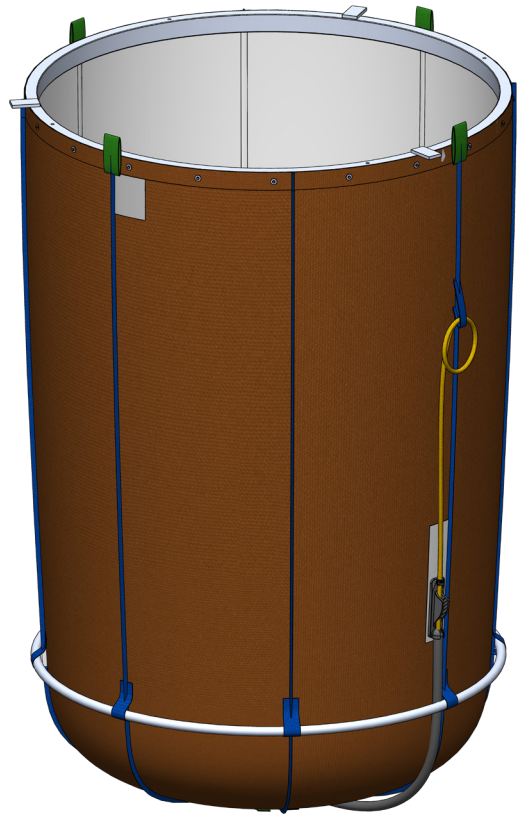
DZCK5000 Maxi



Technical data

Part	Material	Weight
Outside bag	Polypropylene	6 kg
Inside liner	Polypropylene	4 kg
Lifting ring	Aluminium	10 kg
Rope	PE + PP	0.2 kg
Clamp	GF Polyamide	0.5 kg
Bag opener ring	Aluminium	12 kg
Total		32,7 kg

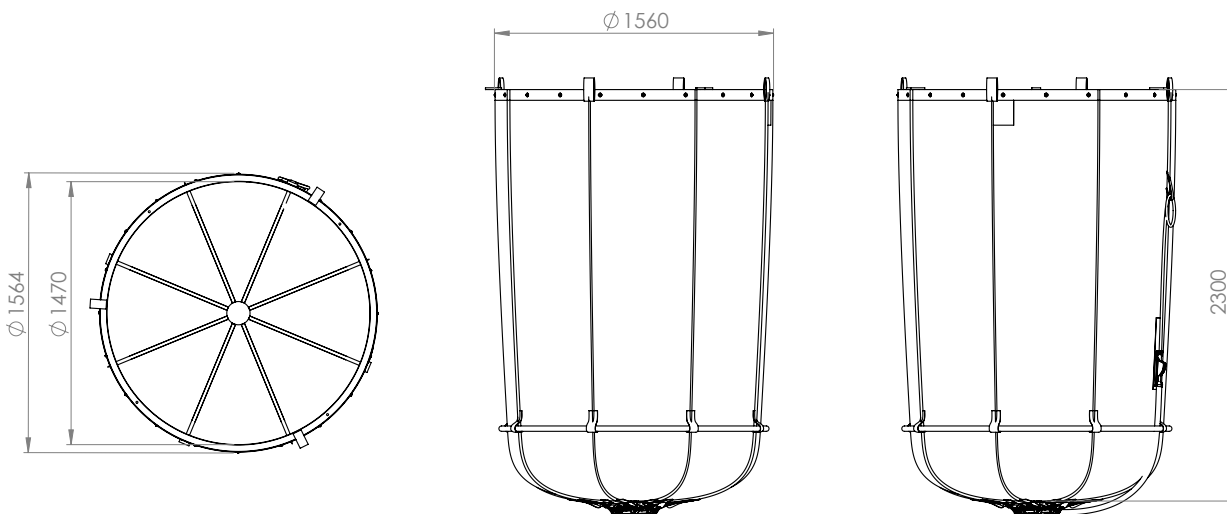
Fill volume	5000 Litre
Safe Working Load (SWL)	1250 kg
ISO 21898 certified	



Options

- Lifting 4 x lifting loops, single hook

Dimensions



DZCM5000 Maxi



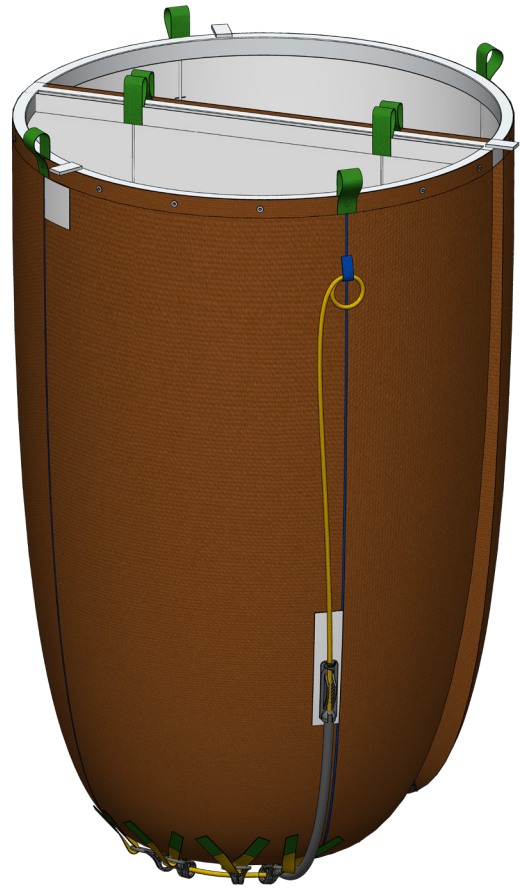
Technical data

Part	Material	Weight
Fraction bag 1	Polypropylene	4 kg
Fraction bag 2	Polypropylene	4 kg
Lifting rings	Aluminium	10 kg
Rope	PE + PP	0,2 kg
Clamp	GF Polyamide	0,5 kg
Total		18,7 kg

Fill volume 5000 Litre

Safe Working Load (SWL) 1250 kg

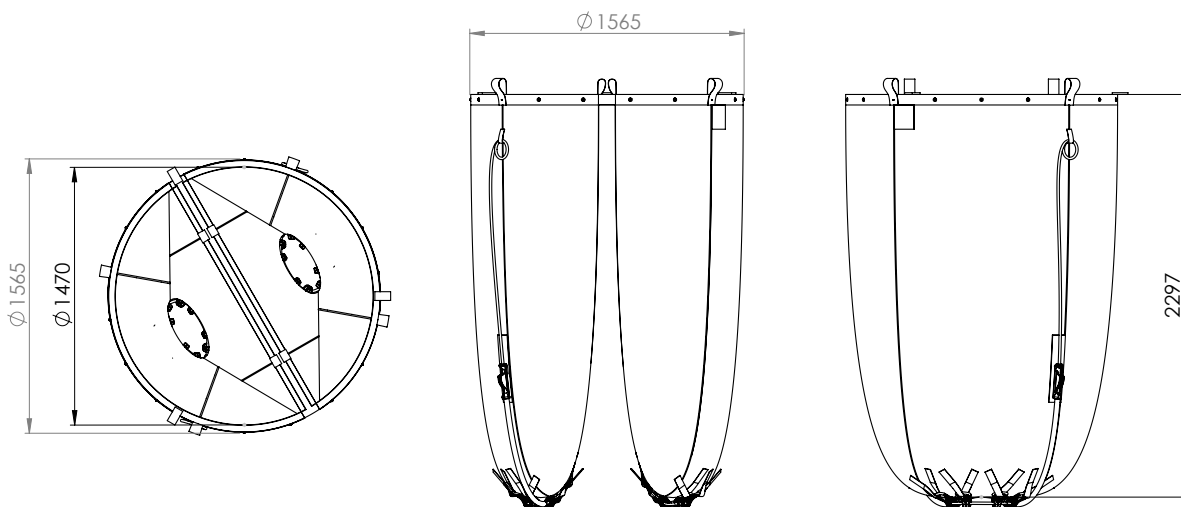
ISO 21898 certified



Options

- Lifting: 4 x lifting loops, single hook

Dimensions



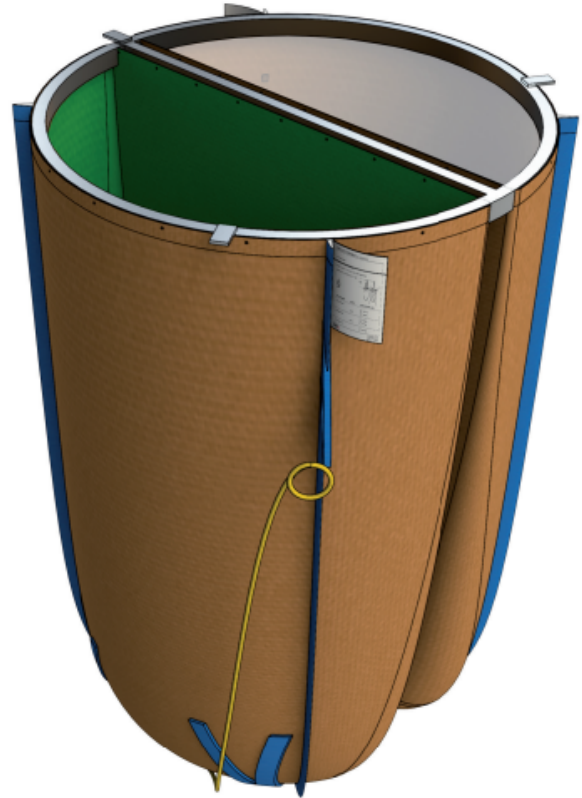
DZCMR5000



Technical data

Part	Material	Weight
Fraction bag 1	Polypropylene	4 kg
Fraction bag 2	Reinforced pvc	7 kg
Lifting rings	Aluminium	12 kg
Rope	PE + PP	0,2 kg
Clamp	GF Polyamide	0,5 kg
Total		21,7 kg

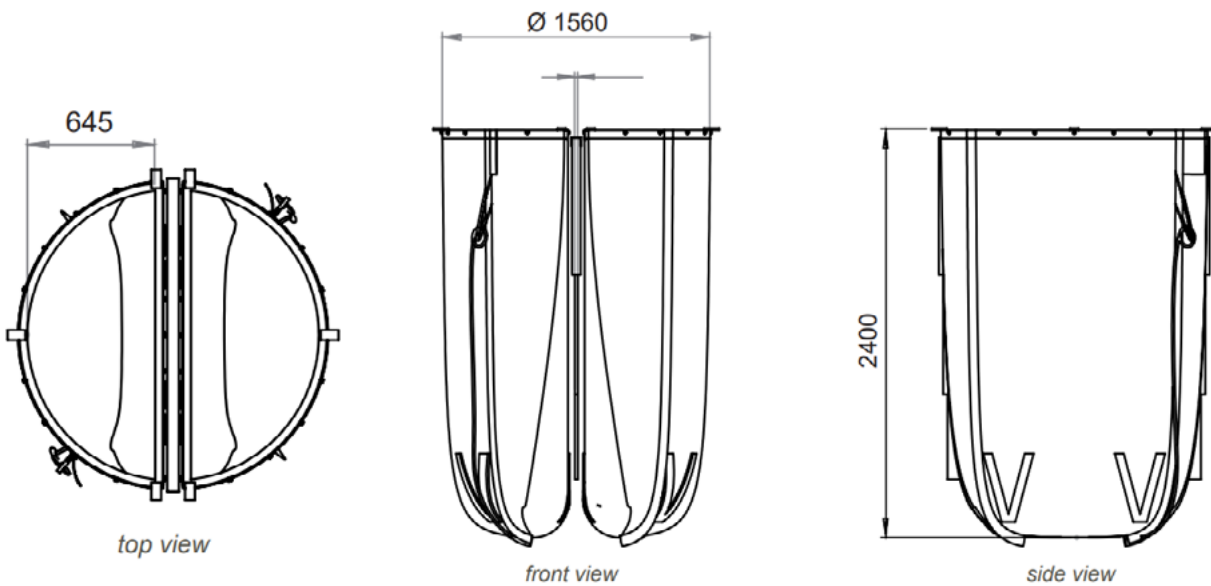
Fill volume	2 x 2500 Litre
Safe Working Load (SWL)	1250 kg
ISO 21898 certified	



Options

- Lifting: 4 x lifting loops, single hook

Dimensions



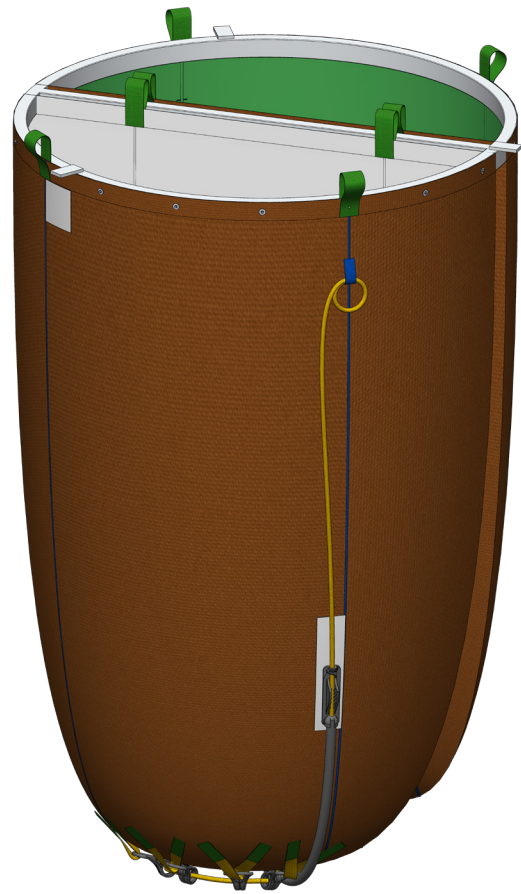
DZCMR5000 Maxi



Technical data

Part	Material	Weight
Fraction bag 1	Polypropylene	4 kg
Fraction bag 2	Reinforced pvc	7 kg
Lifting rings	Aluminium	12 kg
Rope	PE + PP	0,2 kg
Clamp	GF Polyamide	0,5 kg
Total		23,7 kg

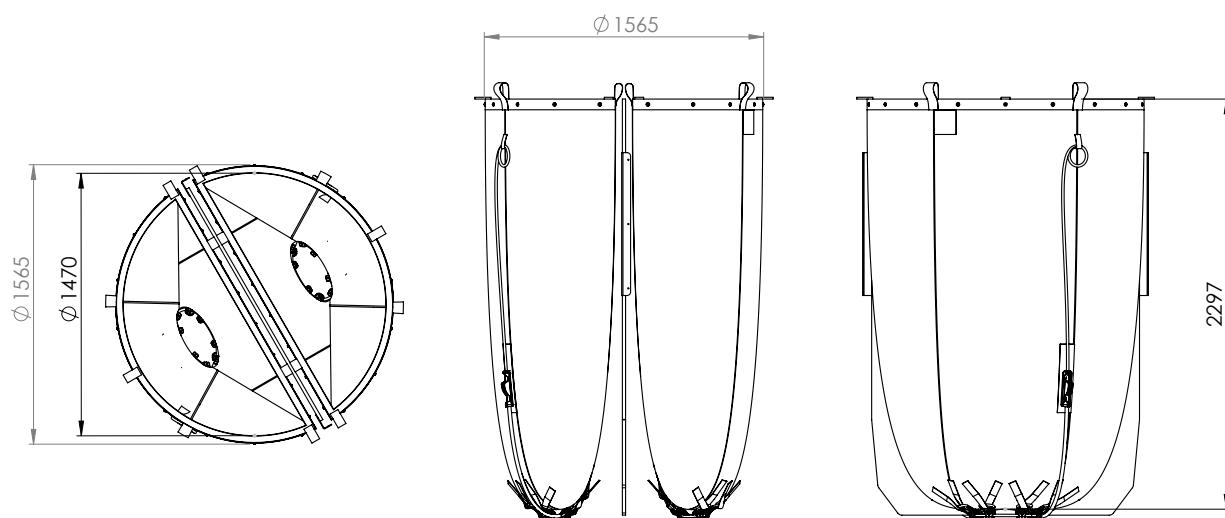
Fill volume	2 x 2500 Litre
Safe Working Load (SWL)	1250 kg
ISO 21898 certified	



Options

- Lifting: 4 x lifting loops, single hook

Dimensions

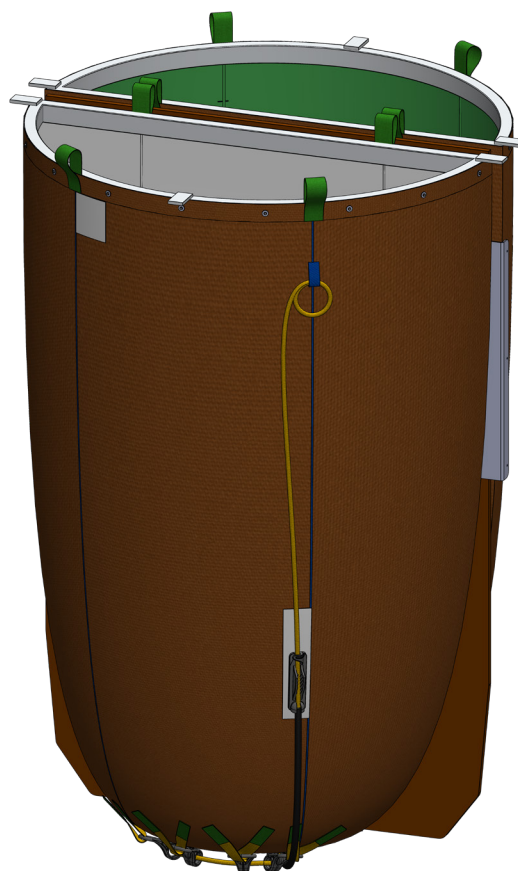


DZCMRS5000 Maxi



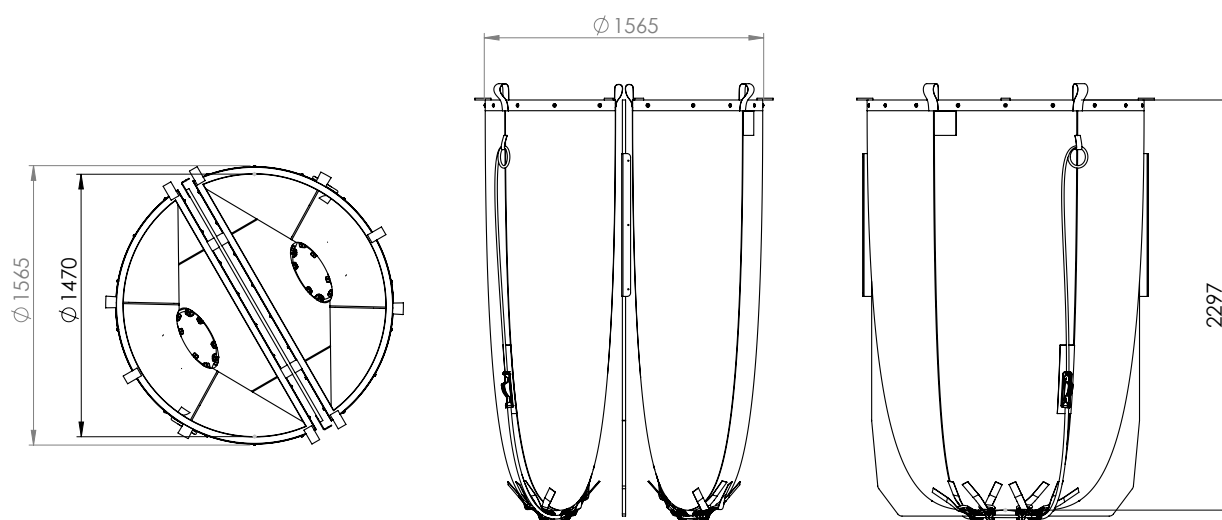
Technical data

Part	Material	Weight
Fraction bag 1	Polypropylene	4 kg
Fraction bag 2	Reinforced pvc	7 kg
Lifting rings	Aluminium	12 kg
Rope	PE + PP	0,2 kg
Clamp	GF Polyamide	0,5 kg
Division wall	betonplex	30 kg
Total		53,7 kg



Fill volume	2 x 2500 Litre
Lifting	4 x lifting loops
Safe Working Load (SWL)	1250 kg
ISO 21898 certified	

Dimensions



HLCDH5000 Maxi



Technical data

Part	Material	Weight
Lifting body	Polyethylene	100 kg
Liquid collector	Galvanised steel	65 kg
Locking mechanism	Galvanised steel	15 kg
Double hook	Galvanised steel	48
Total		229 kg

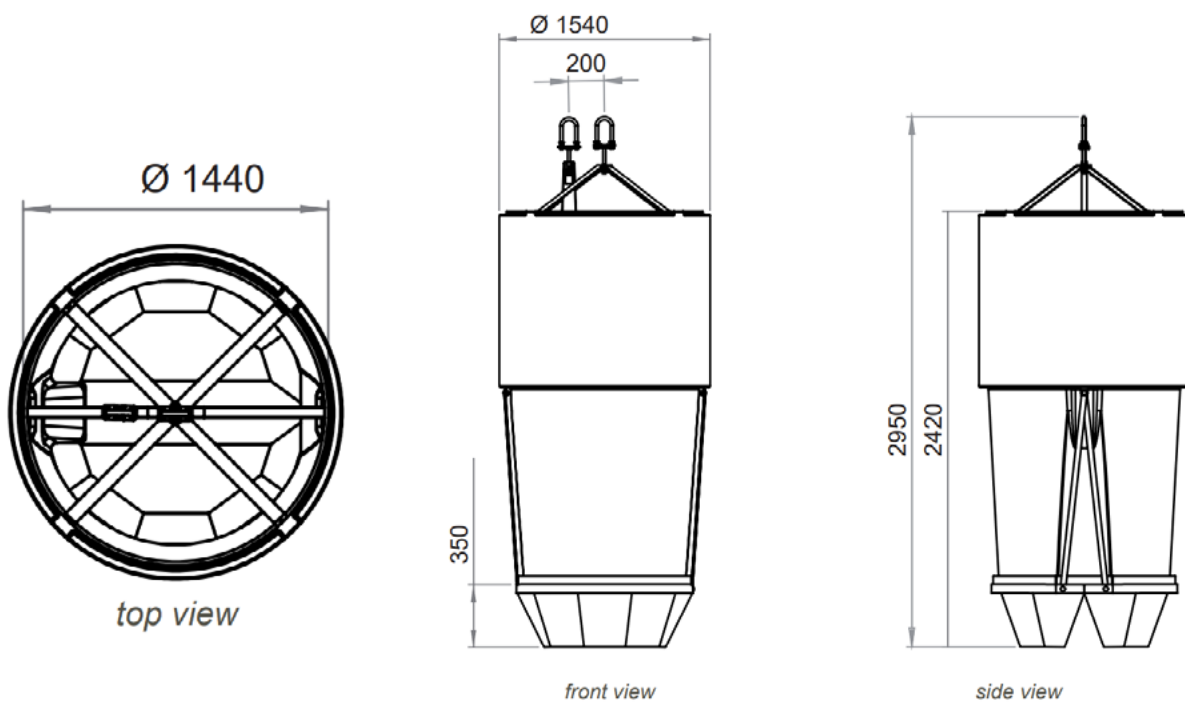
Fill volume	4100 Litre
Liquid volume	450 Litre
Safe working load (SWL)	1250 kg

Options

- Lifting: 4 x lifting loops, single hook



Dimensions



HLMCCDH5000 Maxi



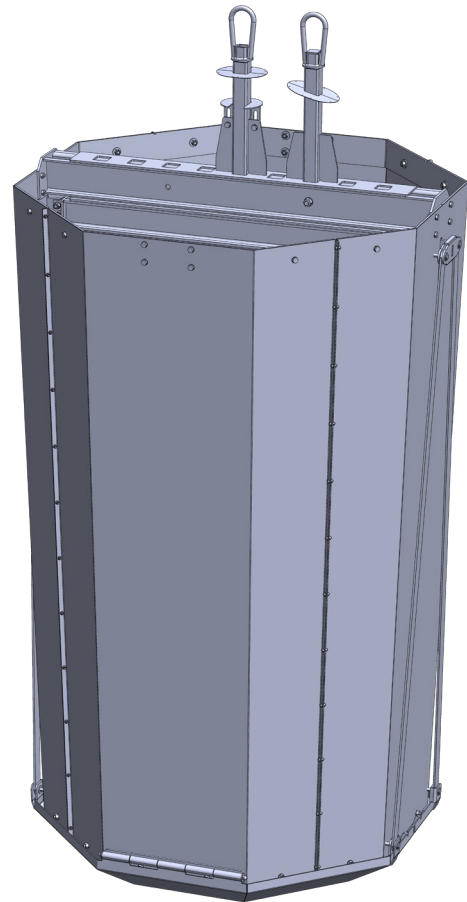
Technical data

Part	Material	Weight
Lifting body	Galvanised steel	330 kg
Liquid collector	Galvanised steel	105 kg
Locking mechanism	Galvanised steel	16 kg
Double hook	Galvanised steel	43 kg
Total		494 kg

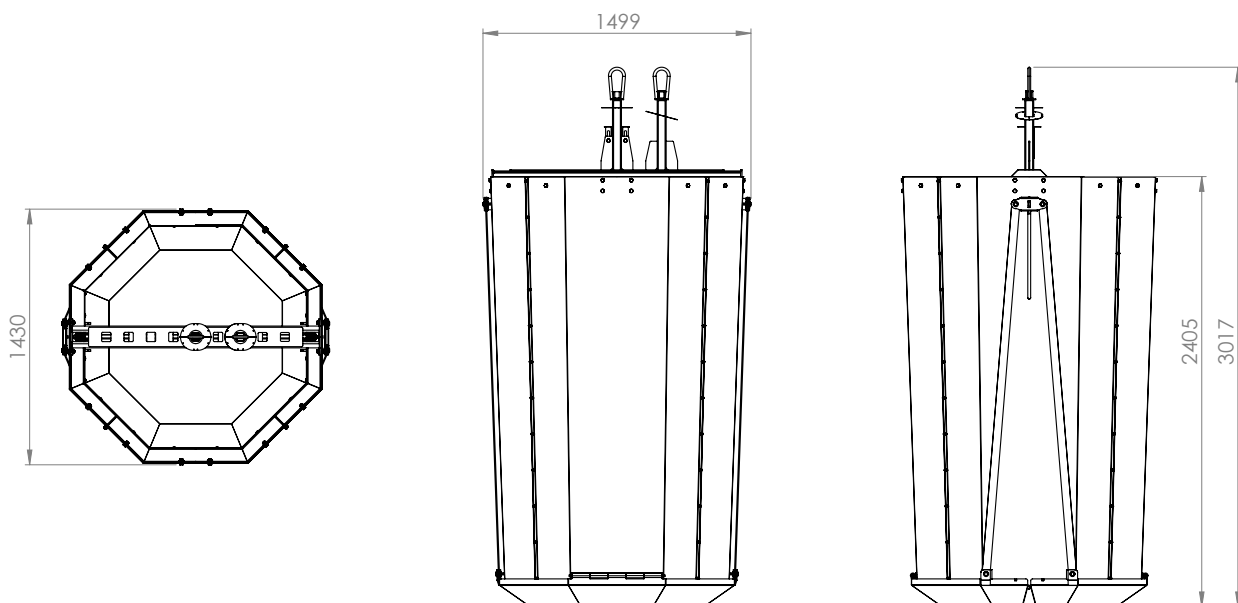
Fill volume	4100 Litre
Liquid collector volume	95,88 Litre
Safe working load (SWL)	1250 kg

Options

- Lifting: 2 hooks



Dimensions



HLMCCKH5000 Maxi



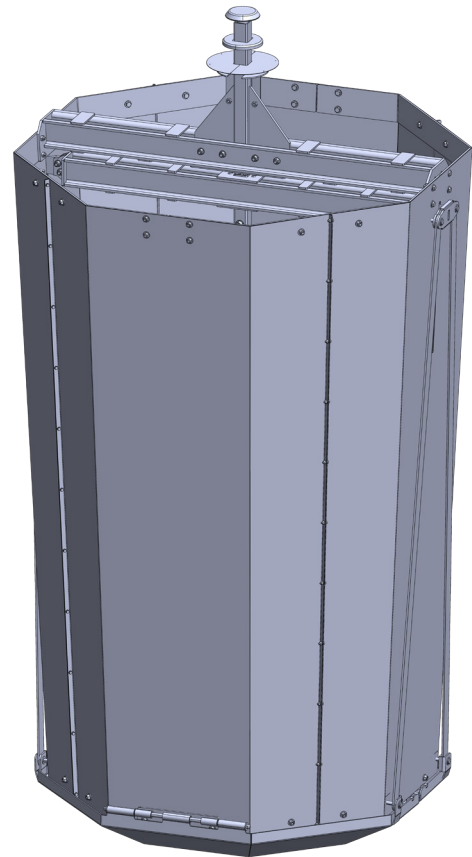
Technical data

Part	Material	Weight
Lifting body	Galvanised steel	330 kg
Liquid collector	Galvanised steel	105 kg
Locking mechanism	Galvanised steel	16 kg
Kinshofer	Galvanised steel	41 kg
Total		492 kg

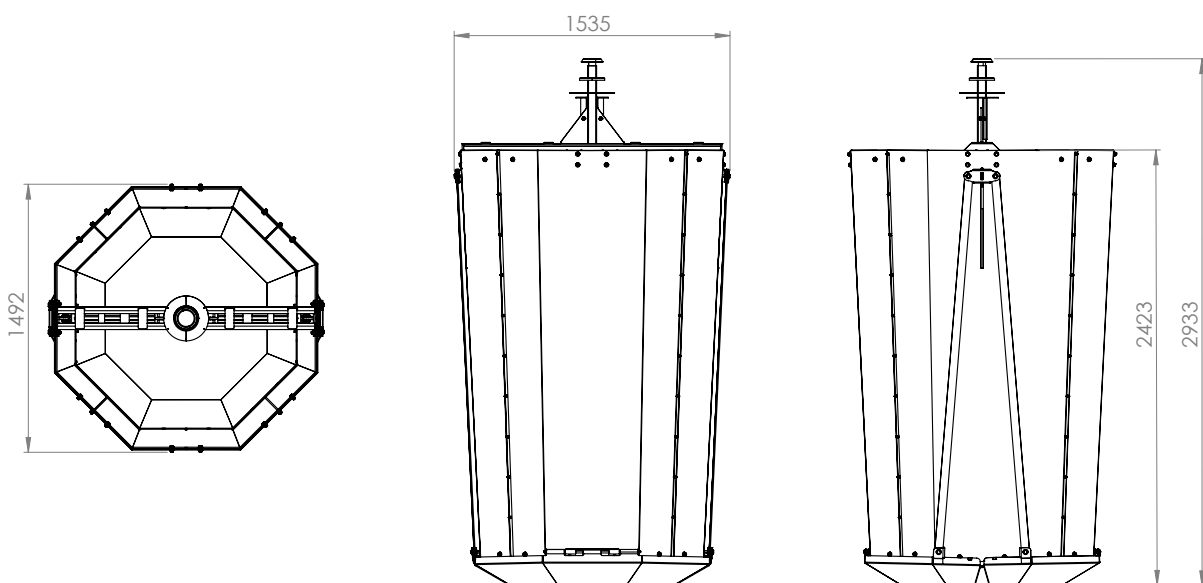
Fill volume	4100 Litre
Liquid collector volume	86,66 Litre
Safe working load (SWL)	1250 kg

Options

- Lifting: Kinshofer



Dimensions



HLPCC5000 Maxi



Technical data

Part	Material	Weight
Solid container	Polyethylene	100 kg
Liquid collector	Polyethylene	30 kg
Lifting ring	Aluminium	10 kg
Collector rings	Galvanised steel	41 kg
Cleat	Polyamide	3 kg
Total		184 kg

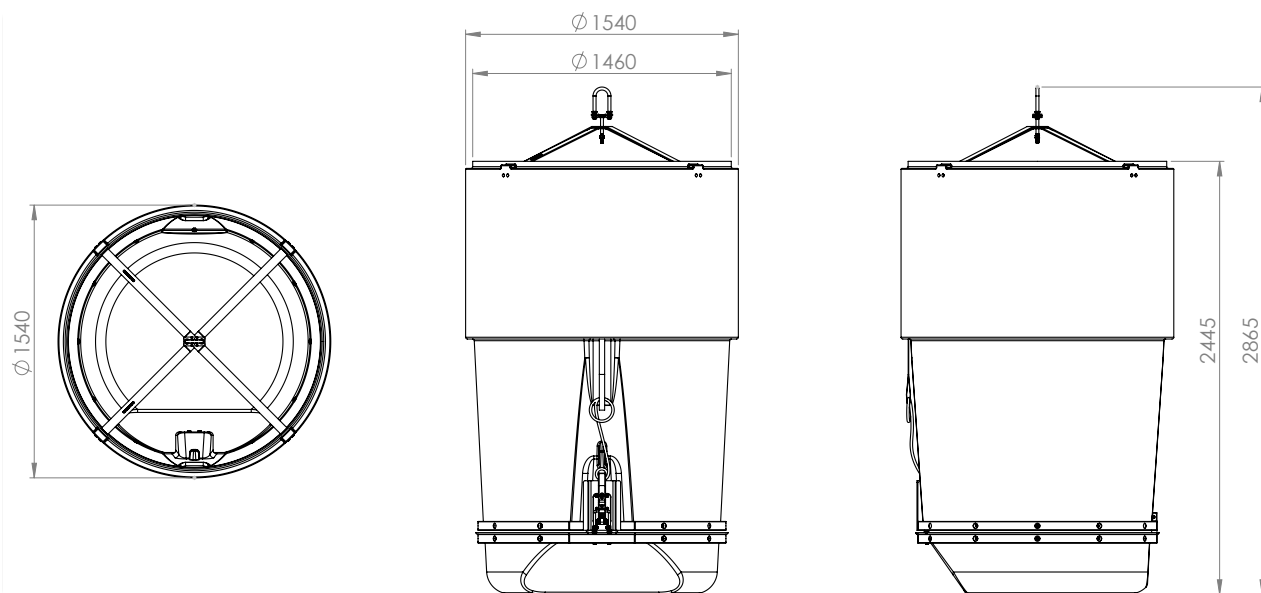
Fill volume	4100 Litre
Liquid volume	450 Litre
Safe working load (SWL)	1250 kg

Options

- Lifting: 4 x lifting loops, single hook



Dimensions



SHBC5000 Maxi



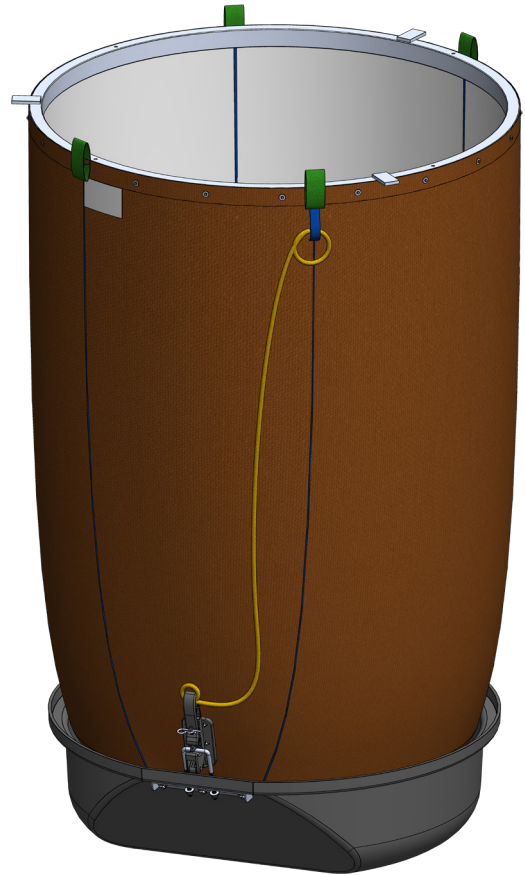
Technical data

Part	Material	Weight
Outside bag	Polypropylene	6 kg
Inside liner	Polypropylene	4 kg
Lifting ring	Aluminium	10 kg
Liquid collector	Polyethylene	25 kg
Clamp	Polyamide	2 kg
Total		47 kg

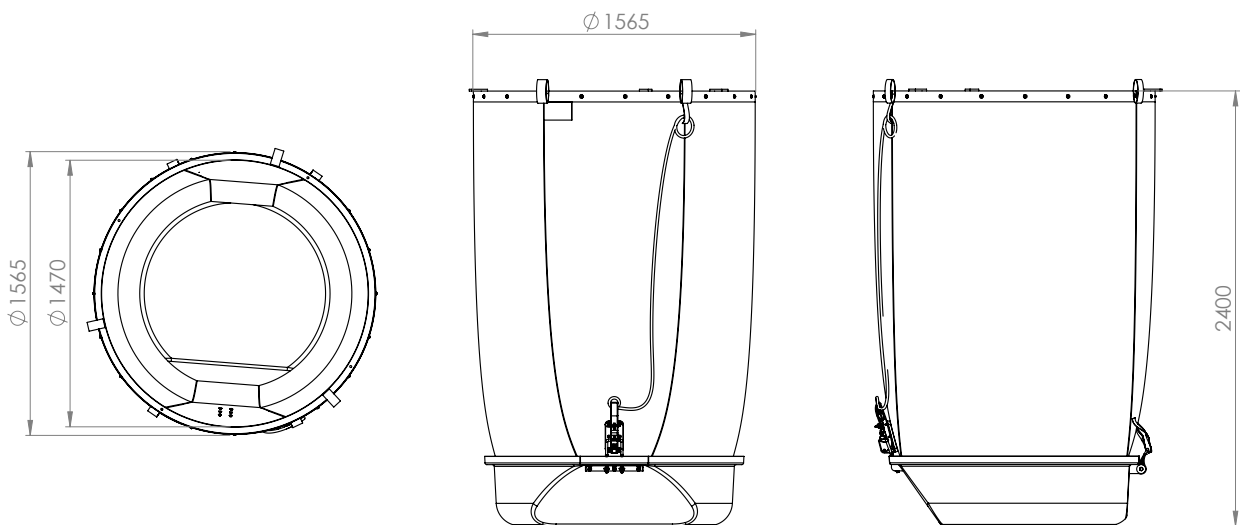
Fill volume	5000 Litre
Volume liquid container	466 Litre
Safe Working Load (SWL)	1250 kg
ISO 21898 certified	

Options

- Lifting: 4 x lifting loops, single hook



Dimensions



SHBCG5000 Maxi



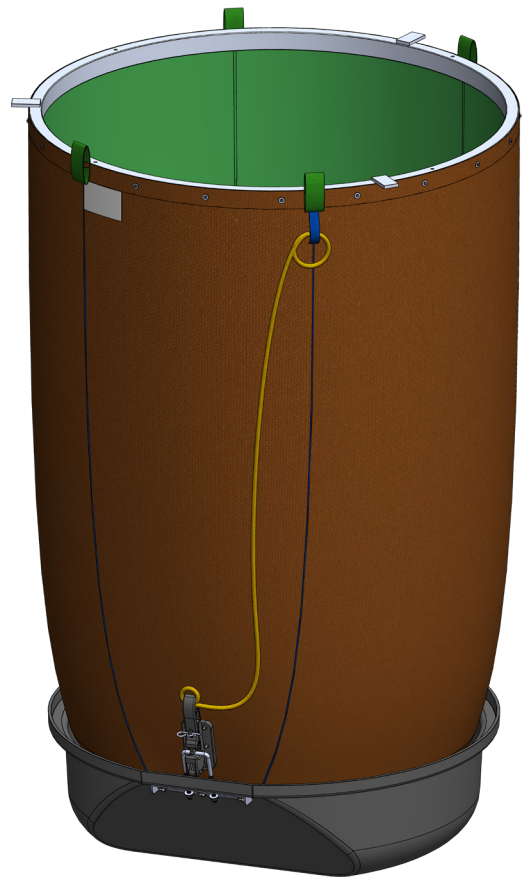
Technical data

Part	Material	Weight
Outside bag	Polypropylene	6 kg
Inside liner	Reinforced PVC	10 kg
Lifting ring	Aluminium	10 kg
Liquid collector	Polyethylene	25 kg
Clamp	Polyamide	2 kg
Total		53 kg

Fill volume	5000 Litre
Volume liquid container	465 Litre
Safe working volume (SWL)	1250 kg
ISO 21898 certified	

Options

- Lifting 4 x lifting loops, single hook



Dimensions

