

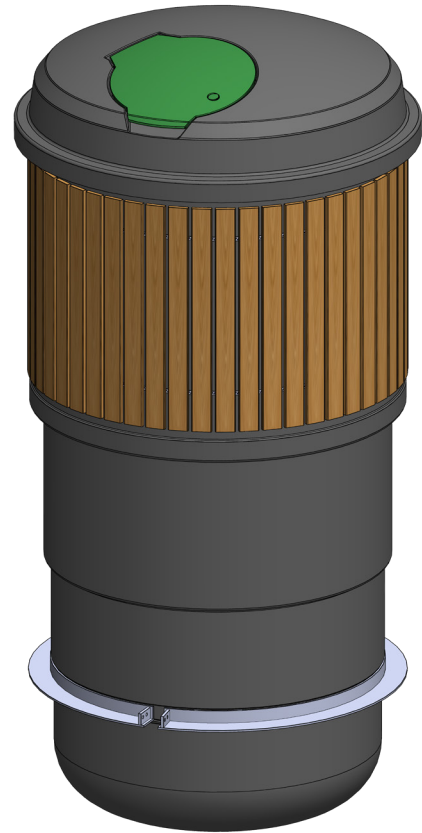
ZBin 3000 Maxi



Technical data

Part	Material	Weight
Container	Polyethylene	85 kg
Cover	Polyethylene	20 kg
Filling lid	Polyethylene	2 kg
Lifting bag	Polypropylene	5 kg
Metal rings (3)	Aluminium	18 kg
Total		130 kg

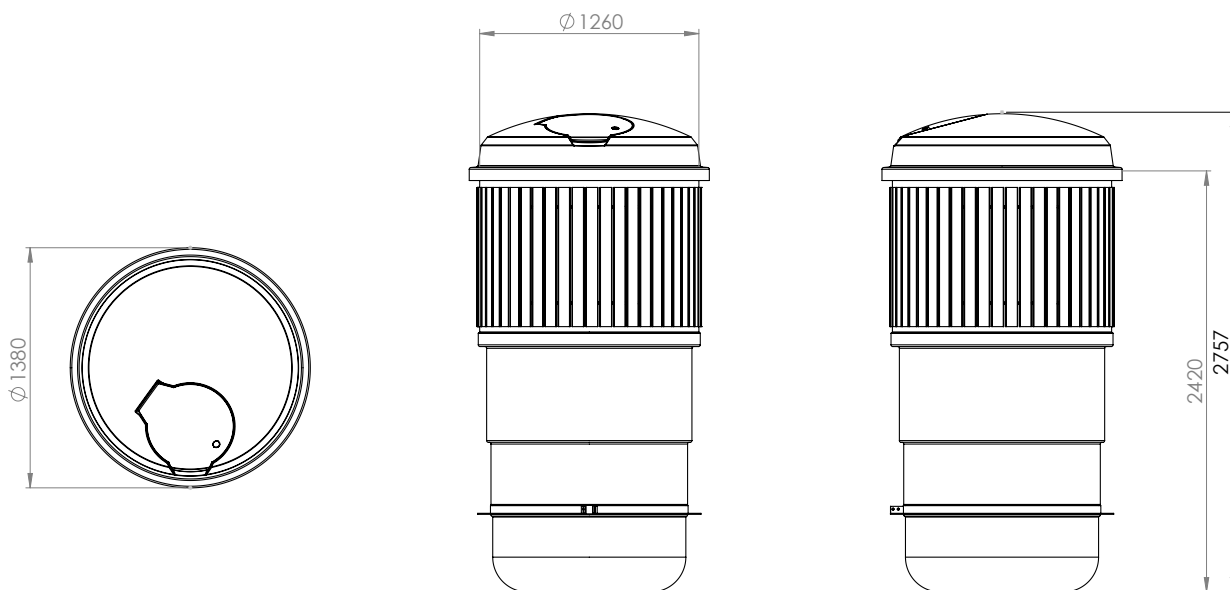
Fill volume	3.000 Litre
Access opening	max Ø 410 mm



Options

- locking: filling lid, cover
- Framing: wood, composite, aluminium, perforated metal, custom print
- Hinge: hinge with gas spring for large lid
- Lifting bag: standard bag, reinforced bag, hybrid bag, hard plastic container, hard metal container

Dimensions



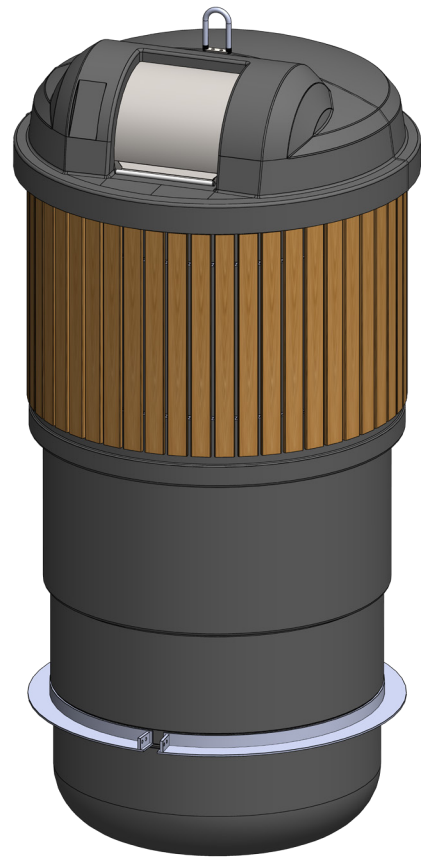
ZBin 3000 drum Maxi



Technical data

Part	Material	Weight
Container	Polyethylene	85 kg
Cover	Polyethylene	20 kg
Drum	Stainless steel	30 kg
H-frame counterbalance	Stainless steel	23 kg
Lifting bag	Polypropylene	5 kg
Metal rings (3)	Aluminium	18 kg
Total		181 kg

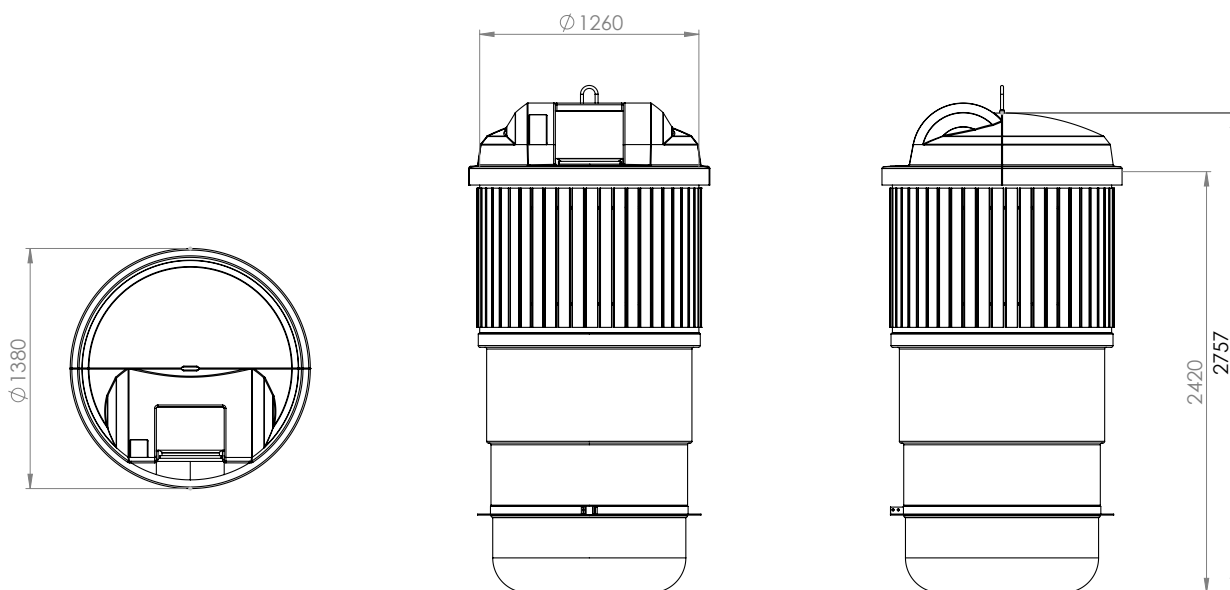
Fill volume	3.000 Litre
Drum volume	66 Litre / 100 Litre



Options

- locking: electronic lock
- Framing: wood, composite, aluminium, perforated metal, custom print
- Lifting bag: standard bag, reinforced bag, hybrid bag, hard plastic container, hard metal container
- Reducer plate: Volume reducer

Dimensions



DZC3000 Maxi



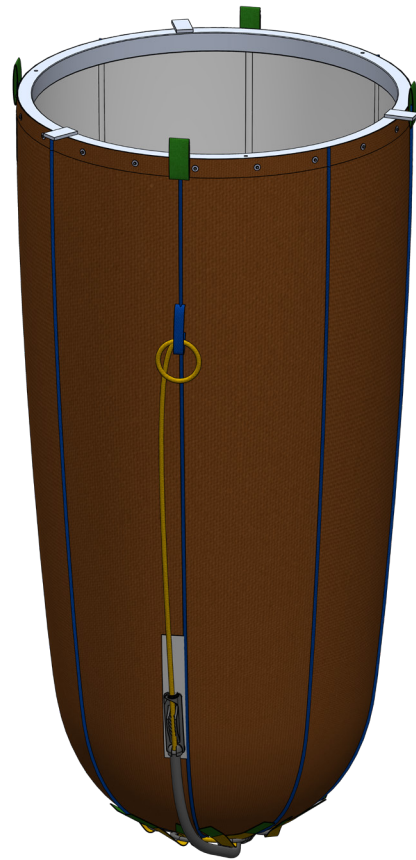
Technical data

Part	Material	Weight
Outside bag	Polypropylene	3 kg
Inside liner	Polypropylene	2 kg
Lifting ring	Aluminium	5 kg
Rope	PE + PP	0.2 kg
Clamp	GF Polyamide	0.5 kg
Total		10.7 kg

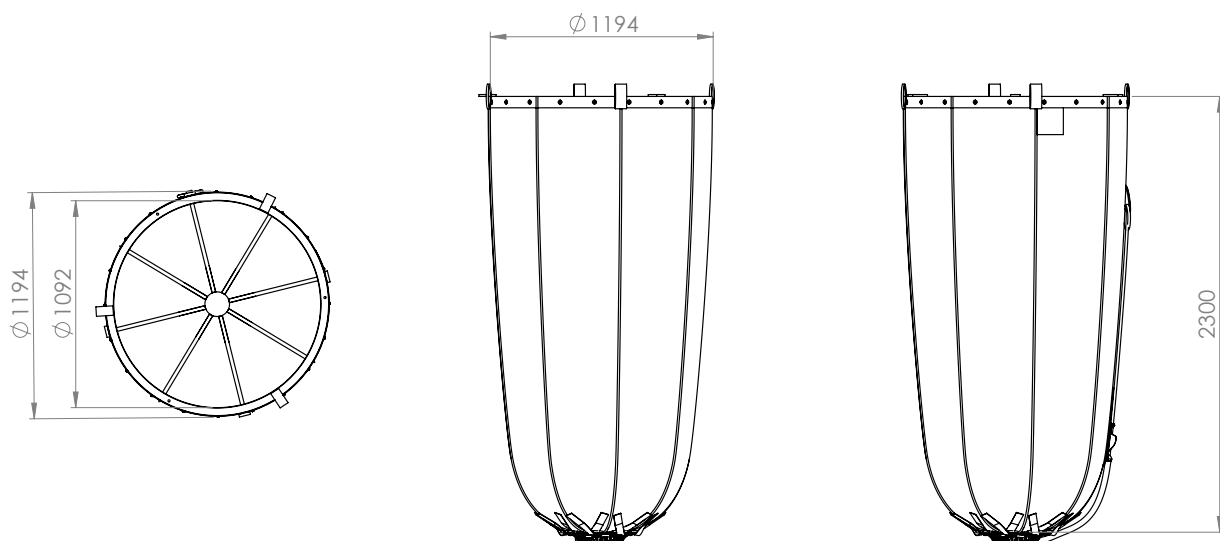
Fill volume	3000 Litre
Safe working load (SWL)	1250 kg
ISO 21898 certified	

Options

- Lifting: 4 x lifting loop, single hook



Dimensions



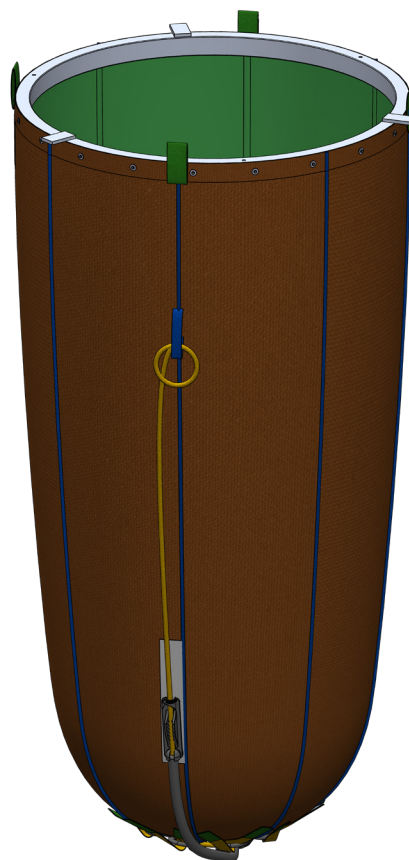
DZCG3000 Maxi



Technical data

Part	Material	Weight
Outside bag	Polypropylene	3 kg
Inside liner	Reinforced PVC	5 kg
Lifting ring	Aluminium	5 kg
Rope	PE + PP	0.2 kg
Clamp	GF Polyamide	0.5 kg
Total		13.7 kg

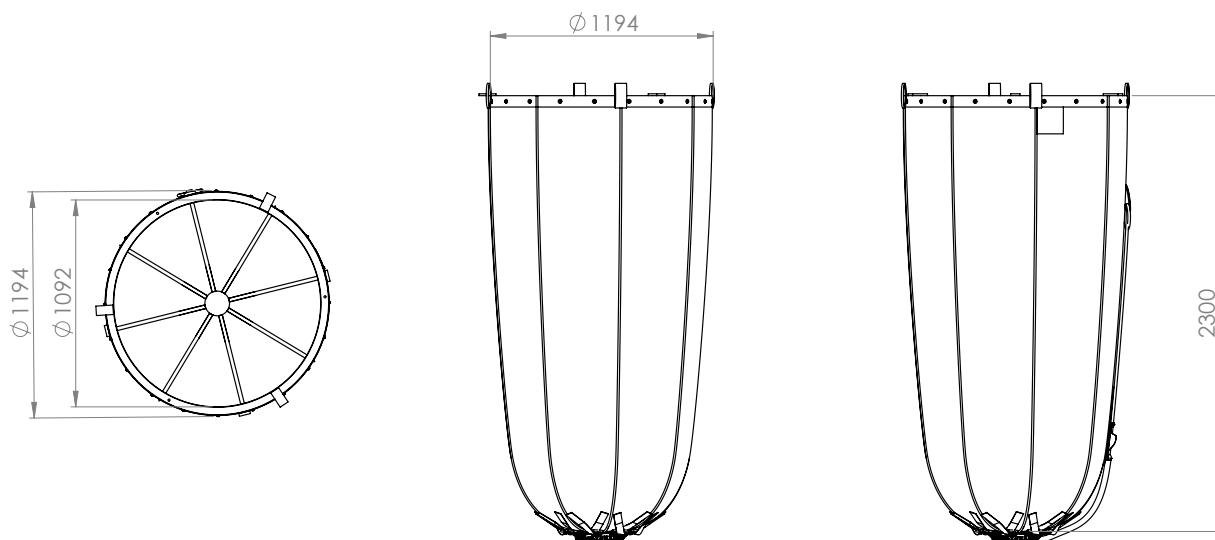
Fill volume	3000 Litre
Safe working load	1250 kg
ISO 21898 certified	



Options

- Lifting: 4 x lifting loops, single hook

Dimensions



HLMCCKH3000 Maxi



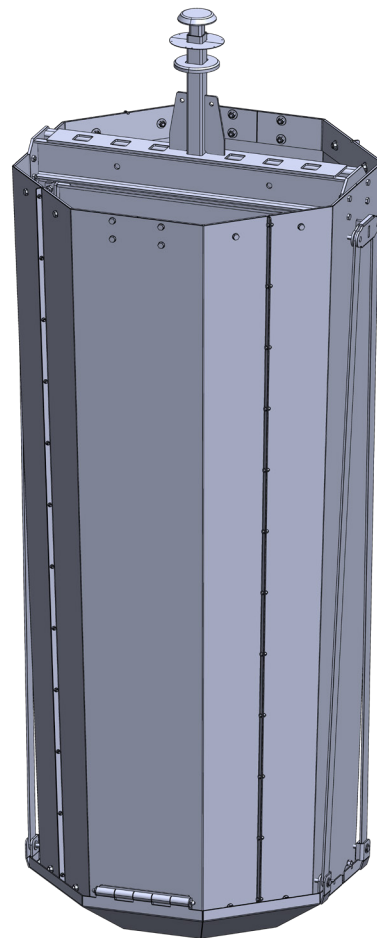
Technical data

Part	Material	Weight
Lifting body	Galvanised steel	280 kg
Liquid collector	Galvanised steel	85 kg
Locking mechanism	Galvanised steel	16 kg
Kinshofer	Galvanised steel	41 kg
Total		422 kg

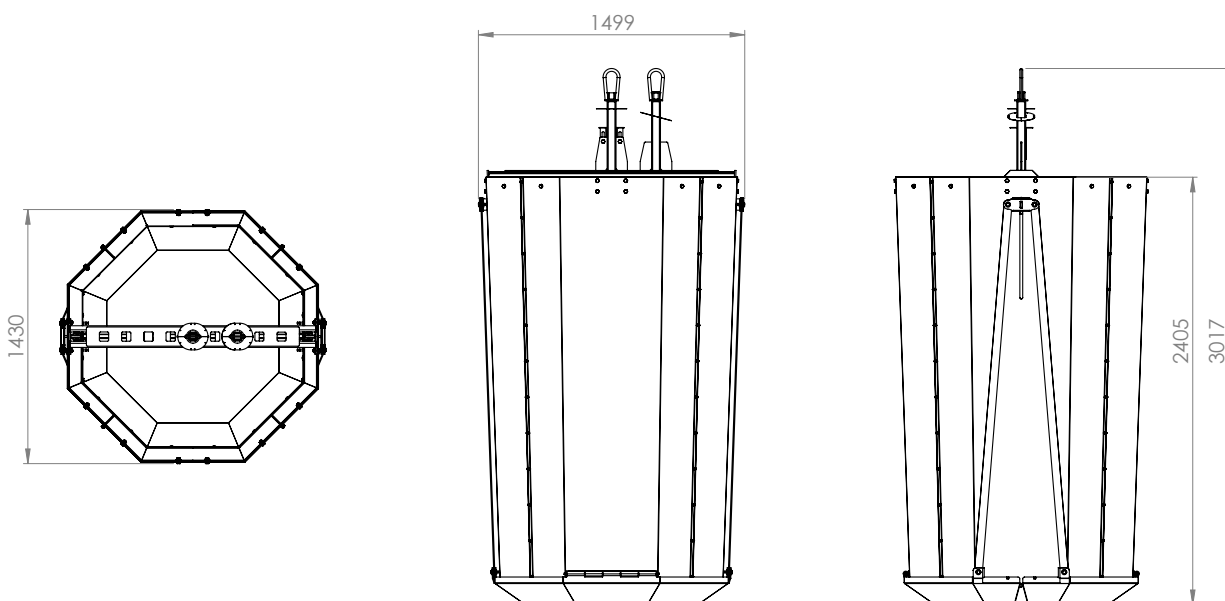
Fill volume	2300 Litre
Liquid collector volume	180 Litre
Safe working load (SWL)	1250 kg

Options

- Lifting: Kinshofer



Dimensions



HLPCCSH3000 Maxi



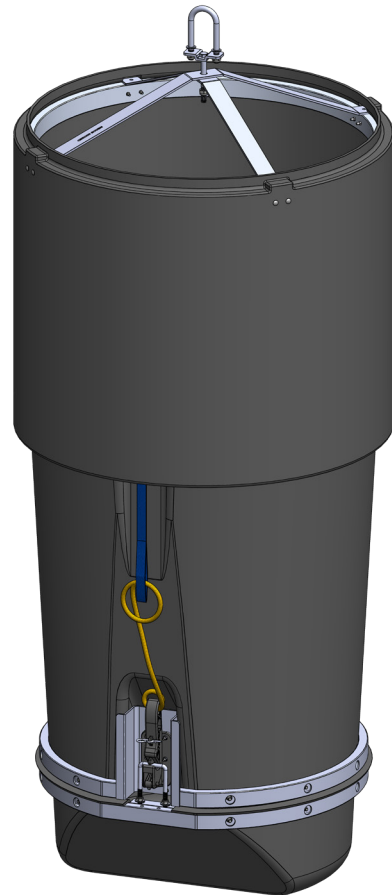
Technical data

Part	Material	Weight
Container	Polyethylene	70 kg
Liquid collector	Polyethylene	15 kg
Lifting ring	Aluminium	7 kg
Collector rings	Galvanised steel	32 kg
Cleat	Polyamide	3 kg
Total		127 kg

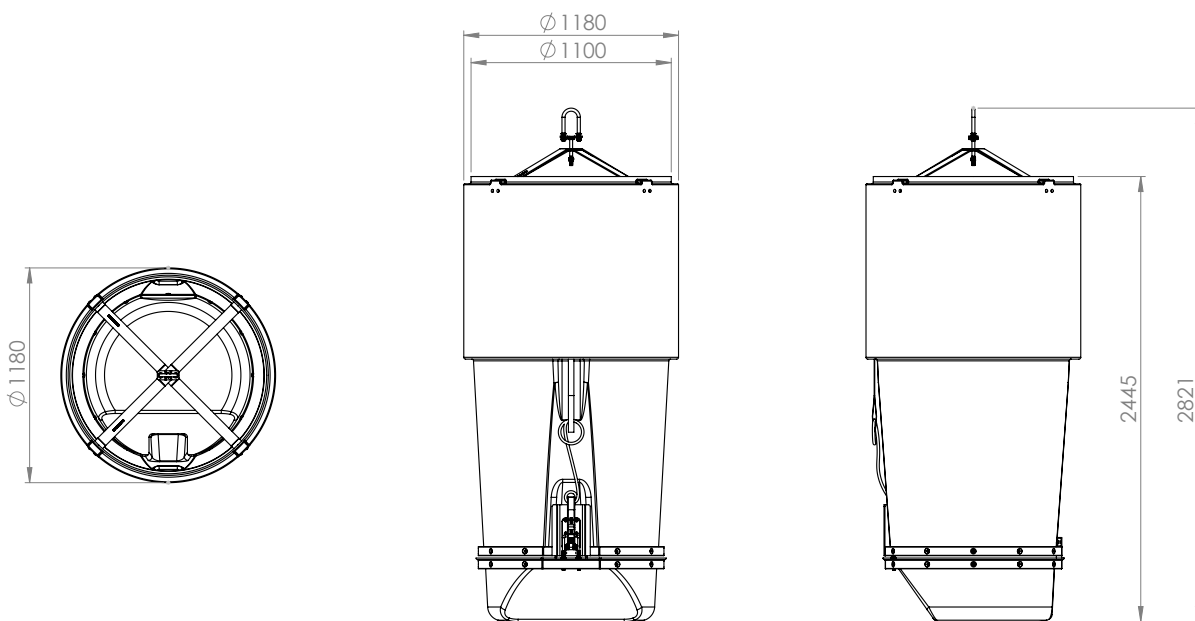
Fill volume	2300 Litre
liquid collector volume	210 Litre
Safe working load (SWL)	1250 kg

Options

- Lifting: 4 x lifting loops, single hook



Dimensions



SHBC3000 Maxi



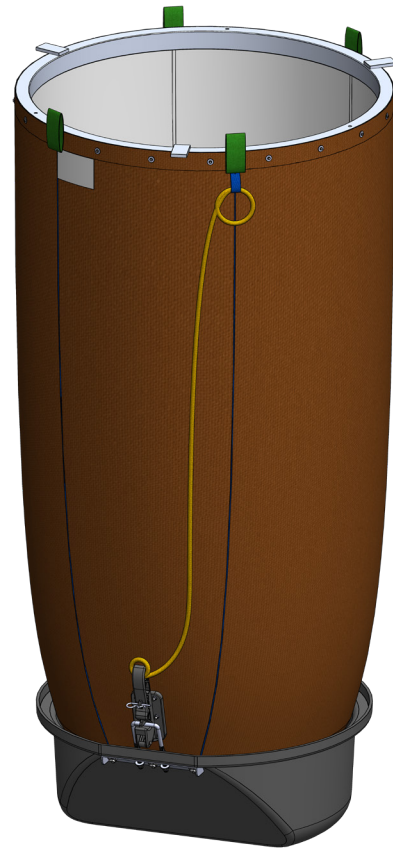
Technical data

Part	Material	Weight
Outside bag	Polypropylene	4 kg
Inside liner	Polypropylene	3 kg
Lifting ring	Aluminium	7 kg
Liquid collector	Polyethylene	15 kg
Clamp	Polyamide	2 kg
Total		31 kg

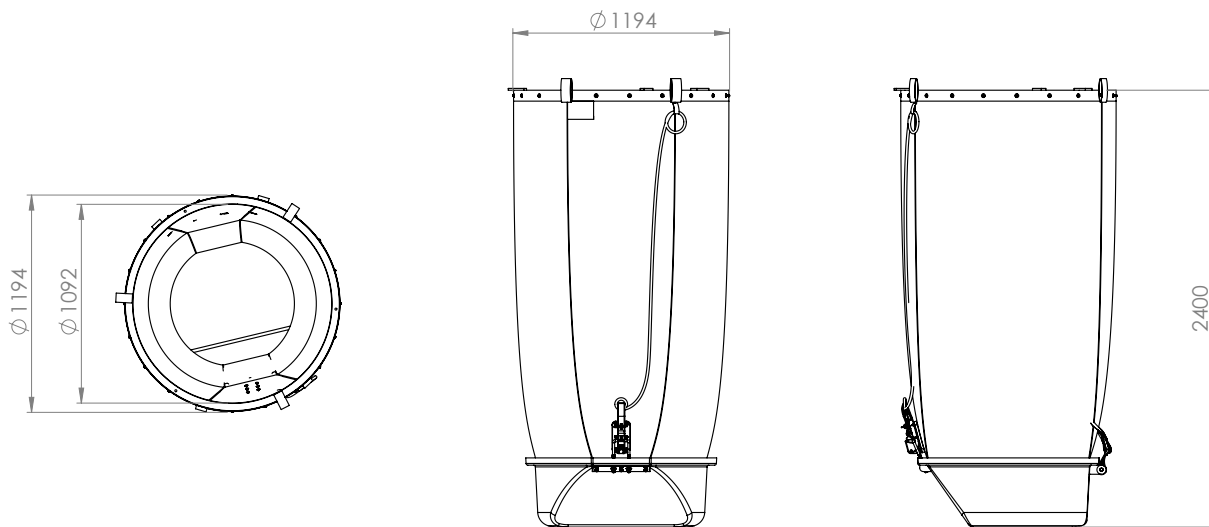
Fill volume	3000 Litre
Volume liquid container	210 Litre
Safe working load (SWL)	1250 kg
ISO 21898 certified	

Options

- Lifting: 4 x lifting loops, single hook



Dimensions



SHBCG3000 Maxi



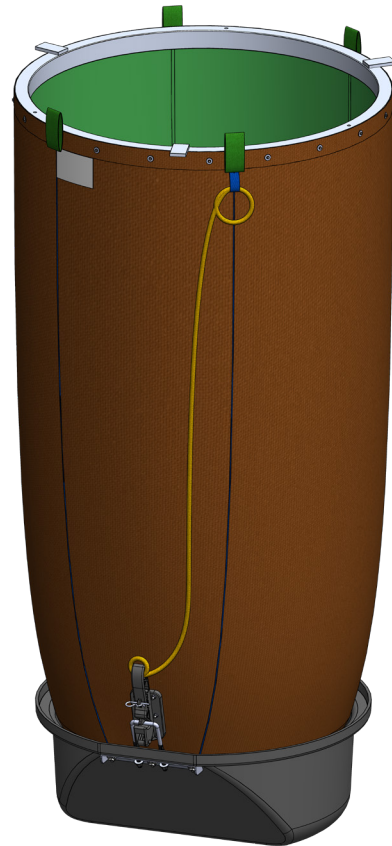
Technical data

Part	Material	Weight
Outside bag	Polypropylene	4 kg
Inside liner	Reinforced PVC	6 kg
Lifting ring	Aluminium	7 kg
Liquid collector	Polyethylene	15 kg
Clamp	Polyamide	2 kg
Total		34 kg

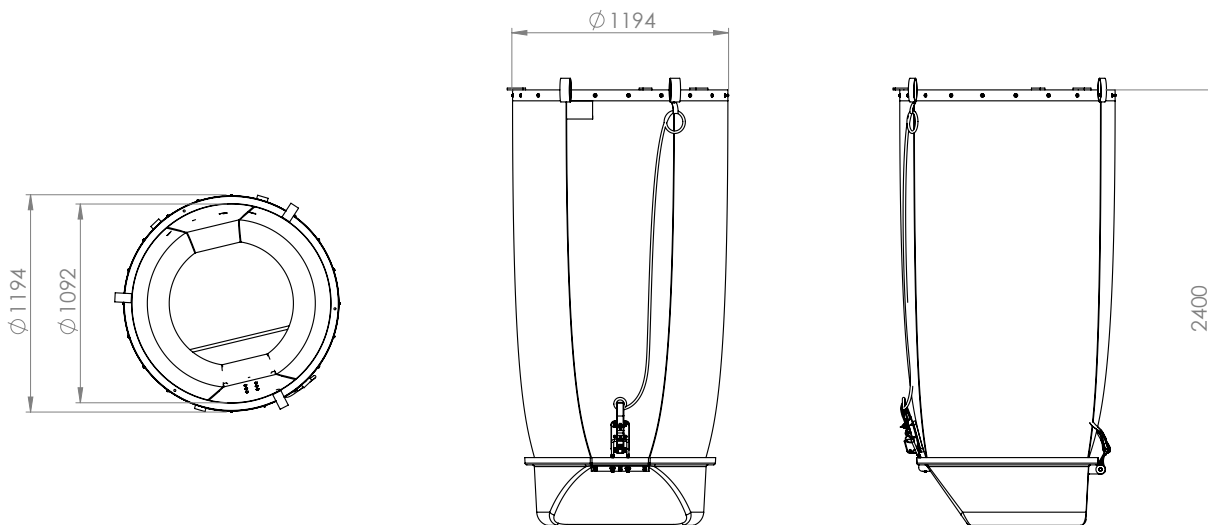
Fill volume	3000 Litre
Volume liquid container	210 Litre
safe working load (SWL)	1250 kg
ISO 21898 certified	

Options

- Lifting: 4 x lifting loops, single hook



Dimensions



SHHC3000 Maxi



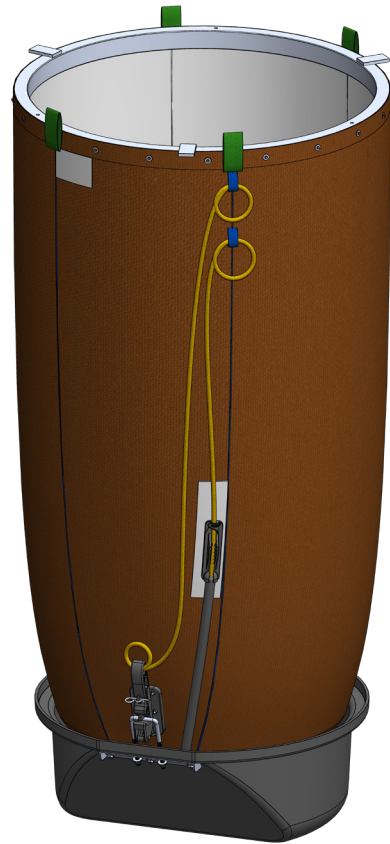
Technical data

Part	Material	Weight
Outside bag	Polypropylene	4 kg
Inside liner	Polypropylene	3 kg
Lifting ring	Aluminium	7 kg
Liquid collector	Polyethylene	15 kg
Clamp	Polyamide	2 kg
Total		31 kg

Fill volume	3000 Litre
Volume liquid container	210 Litre
Safe working load (SWL)	1250 kg
ISO 21898 certified	

Options

- Lifting: 4 x lifting loops, single hook



Dimensions

