

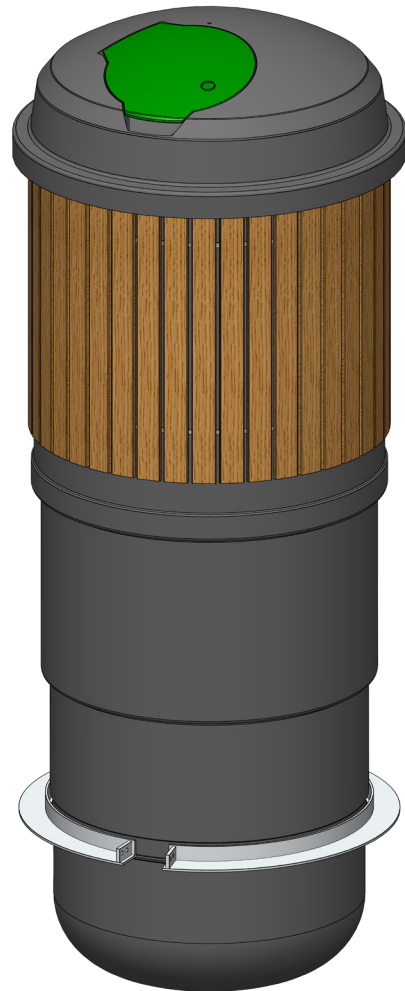
ZBin 1500 Maxi



Technical data

Part	Material	Weight
Container	Polyethylene	55 kg
Cover	Polyethylene	15 kg
Filling lid	Polyethylene	2 kg
Lifting bag	polypropylene	4 kg
Metal rings (3)	Aluminium	13 kg
Total		89 kg

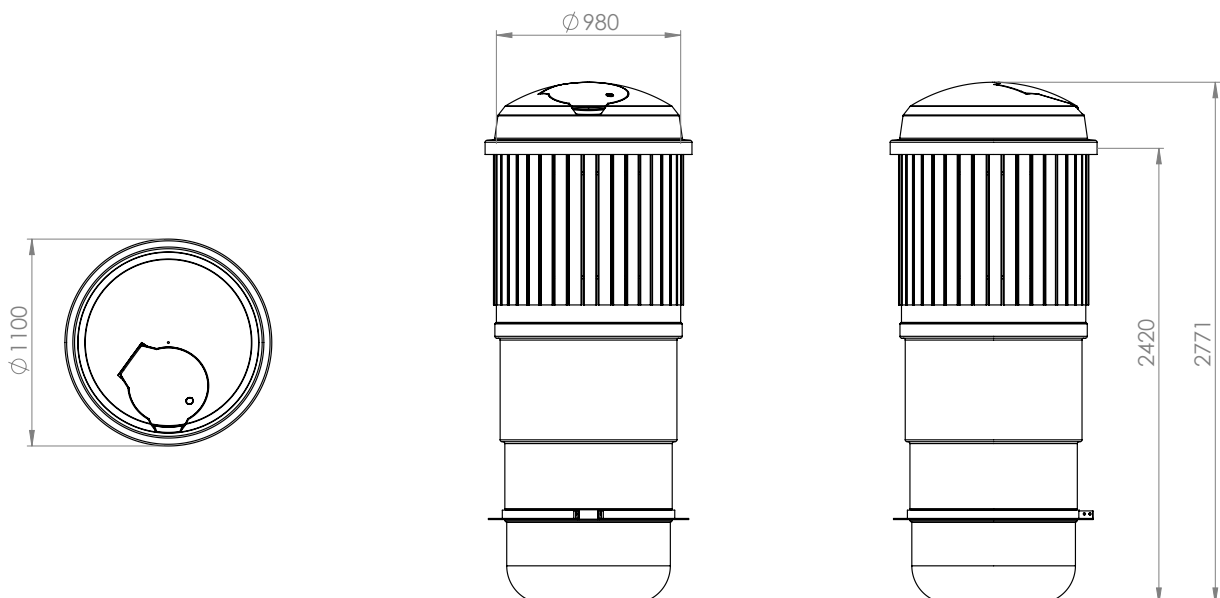
Fill volume	1500 Litre
Access opening	Max Ø 320 mm



Options

- locking: filling lid, cover
- Framing: wood, composite, aluminium, perforated metal, custom print
- Hinge: hinge with gas spring for large lid
- Lifting bag: standard bag, reinforced bag, hybrid bag, hard plastic container, hard metal container

Dimensions



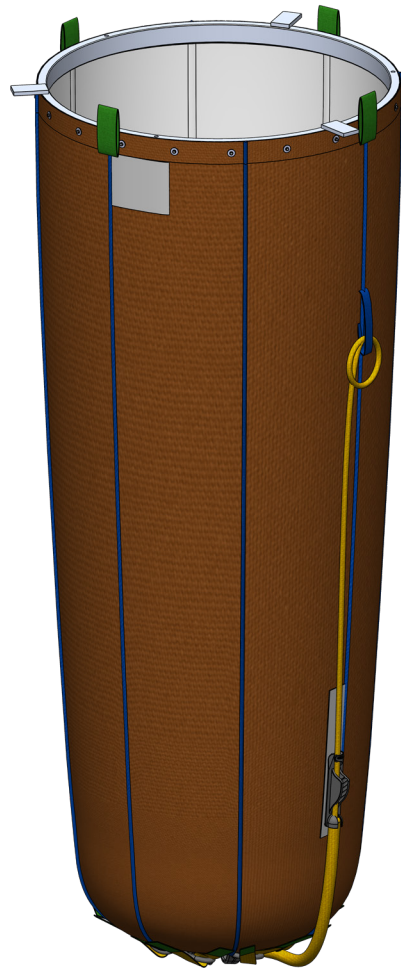
DZC1500 Maxi



Technical data

Part	Material	Weight
Outside bag	Polypropylene	2 kg
Inside liner	Polypropylene	0,9 kg
Lifting ring	Aluminium	5 kg
Rope	PP + PE	0,2 kg
Clamp	GF Polyamide	0,5 kg
Total		8,6 kg

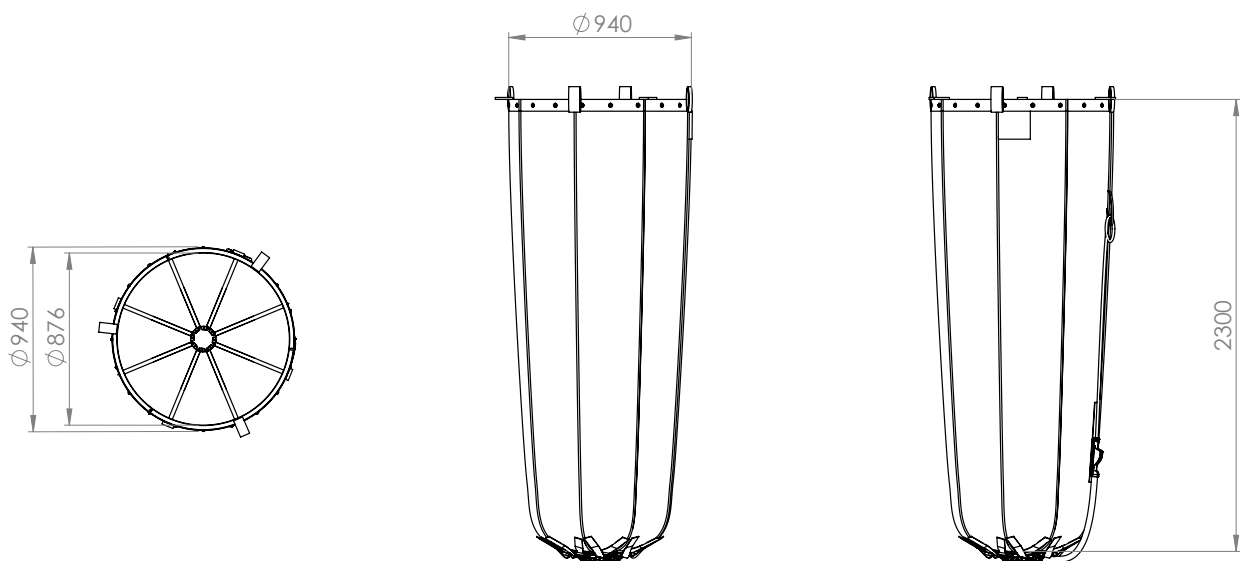
Fill volume	1500 Litre
Safe working load (SWL)	1250 kg
ISO 21898 certified	



Options

- Lifting: 4 x lifting loops, single hook

Dimensions



DZCG1500 Maxi



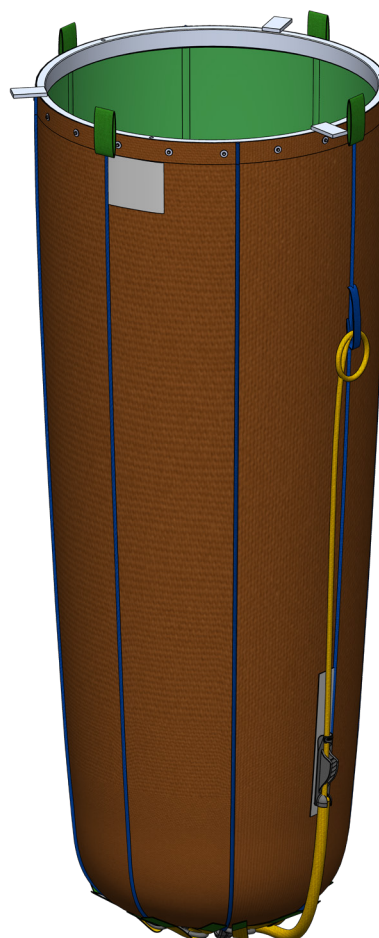
Technical data

Part	Material	Weight
Outside bag	Polypropylene	3 kg
Inside liner	Reinforced pvc	3,4 kg
Lifting ring	Aluminium	5 kg
Rope	PP + PE	0,2 kg
Clamp	GF Polyamide	0,5 kg
Total		12,1 kg

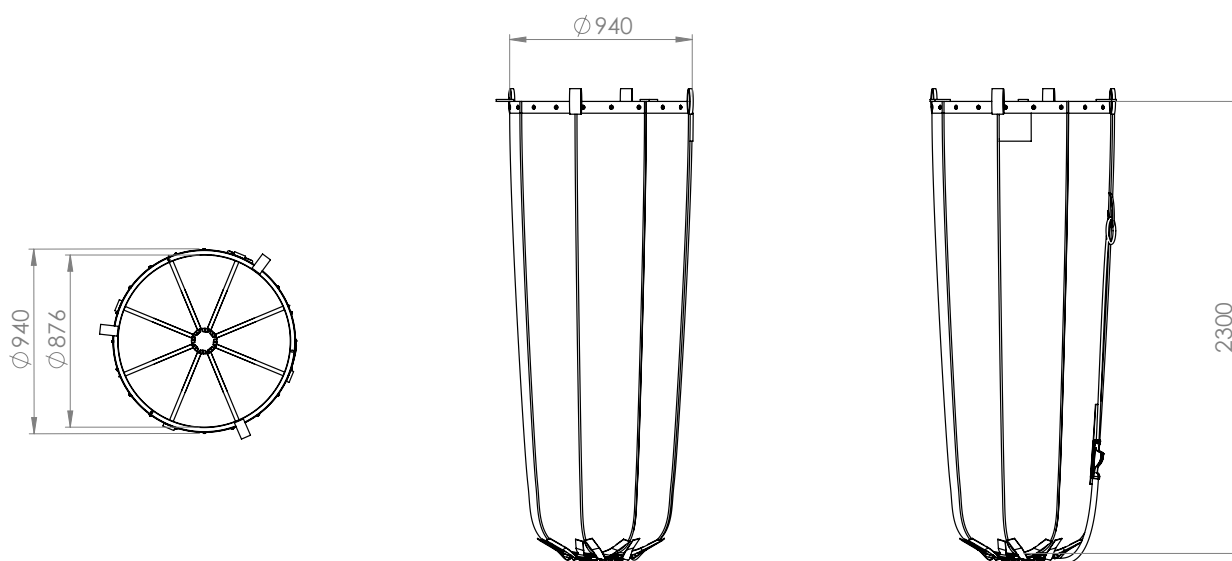
Fill volume	1500 Litre
Safe working load (SWL)	1250 kg
ISO 21898 certified	

Options

- Lifting: 4 x lifting loops, single hook



Dimensions



HLPCCSH1500 Maxi



Technical data

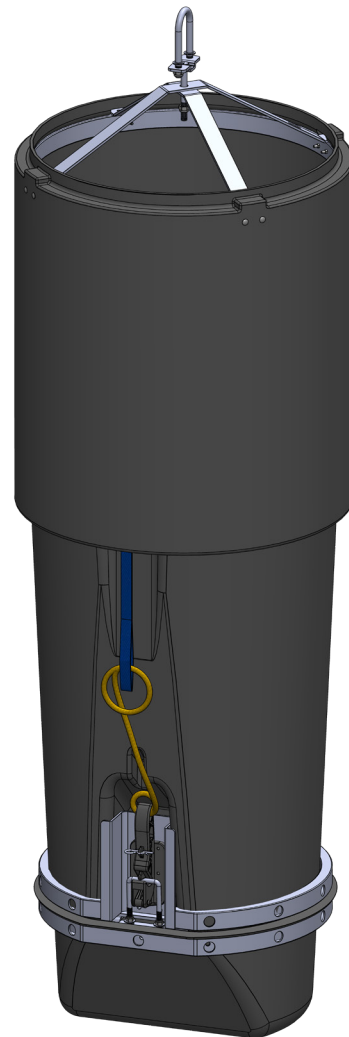
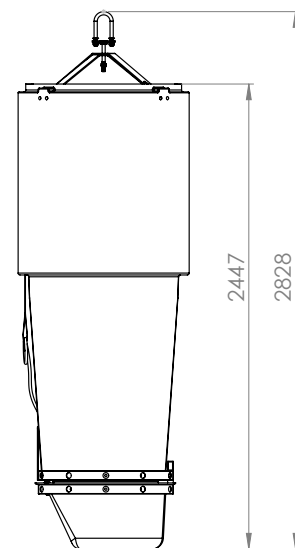
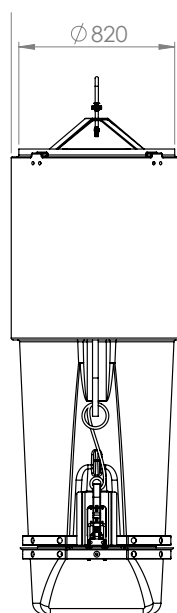
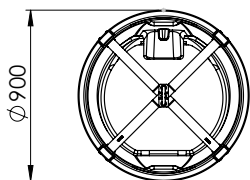
Part	Material	Weight
Lifting container	Polyethylene	60 kg
Liquid collector	Polyethylene	10 kg
Lifting ring	Aluminium	4 kg
Collector rings	Galvanised steel	25 kg
Cleat	GF Polyamide	1 kg
Total		100 kg

Fill volume	1200 Litre
Liquid collector volume	120 Litre
Safe working load (SWL)	1250 kg

Options

- Lifting: 4 x lifting loops, single hook

Dimensions



SHBC1500 Maxi



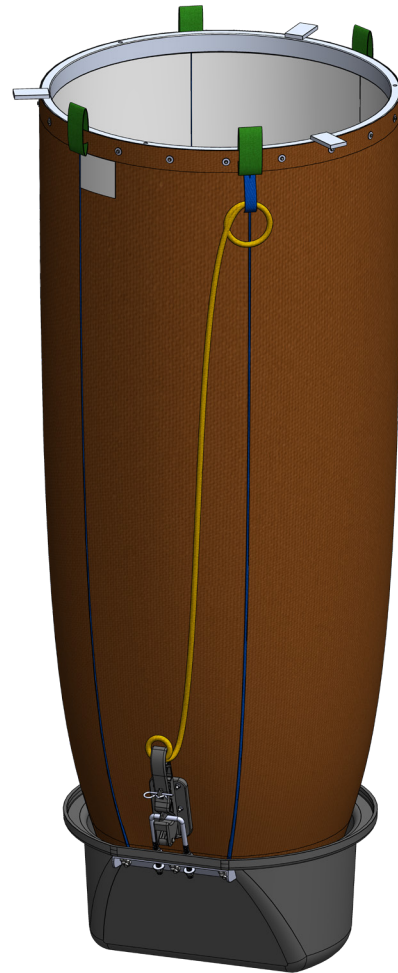
Technical data

Part	Material	Weight
Outside bag	Polypropylene	3 kg
Inside liner	Polypropylene	2 kg
Lifting ring	Aluminium	5 kg
Liquid collector	Polyethylene	9 kg
Clamp	Polyamide	2 kg
Total		21 kg

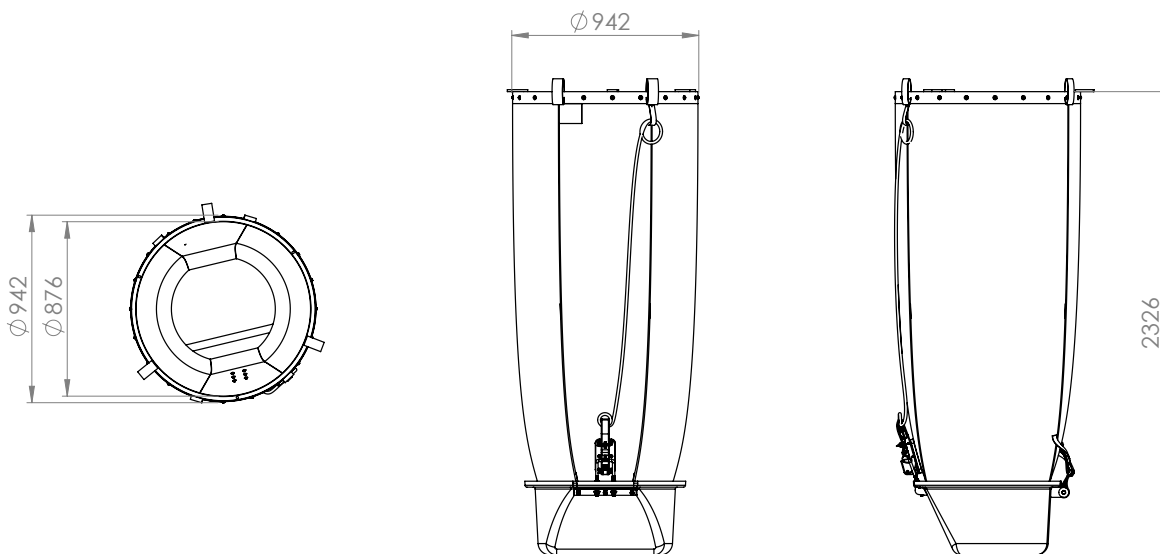
Fill volume	1500 Litre
Volume liquid container	120 Litre
Safe working load (SWL)	1250 kg
ISO 21898 certified	

Options

- Lifting: 4 x lifting loops, single hook



Dimensions



SHBCG1500 Maxi



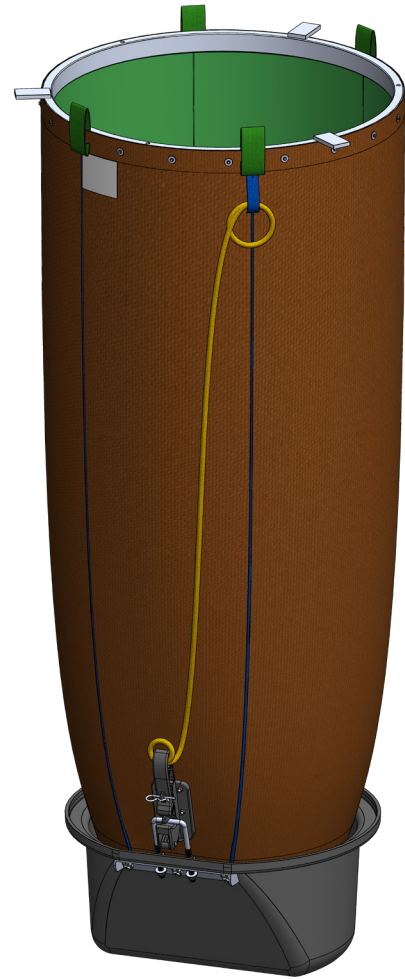
Technical data

Part	Material	Weight
Outside bag	Polypropylene	3 kg
Inside liner	Reinforced pvc	5 kg
Lifting ring	Aluminium	5 kg
Liquid collector	Polyethylene	9 kg
Clamp	GF Polyamide	2 kg
Total		24 kg

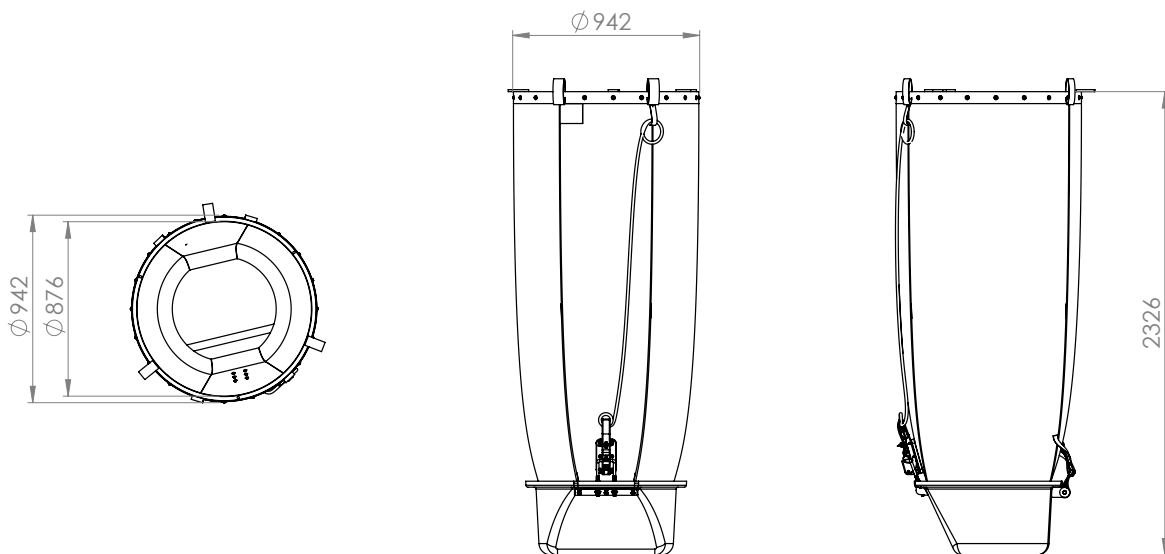
Fill volume	1500 Litre
Volume liquid container	120 Litre
Safe working load (SWL)	1250 kg
ISO 21898 certified	

Options

- Lifting: 4 x lifting loops, single hook



Dimensions



SHHC1500 Maxi



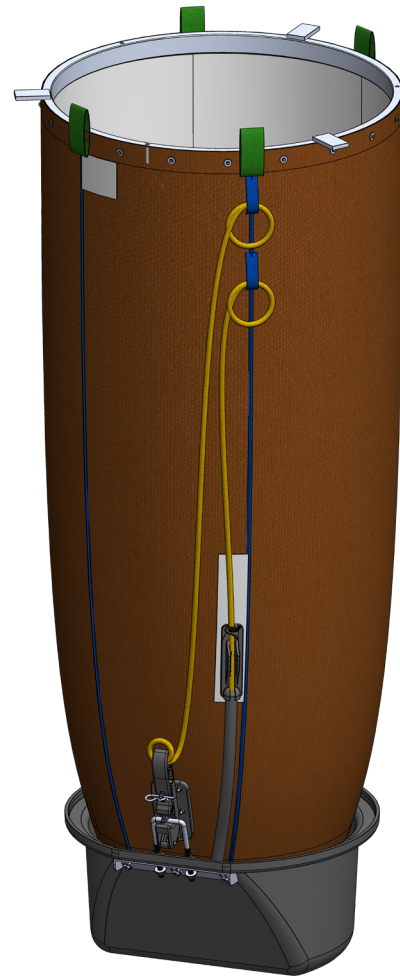
Technical data

Part	Material	Weight
Outside bag	Polypropylene	3 kg
Inside liner	Polypropylene	2 kg
Lifting ring	Aluminium	5 kg
Liquid collector	Polyethylene	9 kg
Clamp	Polyamide	2 kg
Total		21 kg

Fill volume	1500 Litre
Volume liquid container	120 Litre
Safe working load (SWL)	1250 kg
ISO 21898 certified	

Options

- Lifting: 4 x lifting loops, single hook



Dimensions

