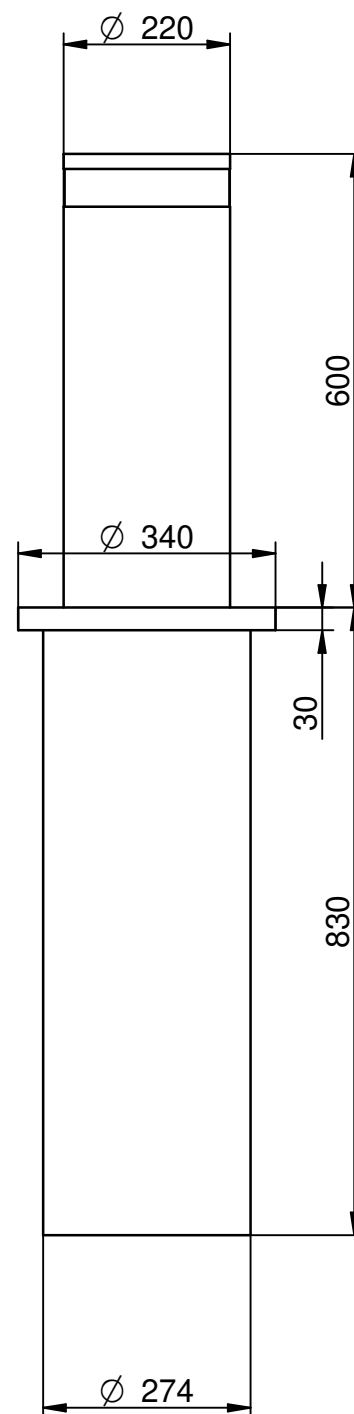
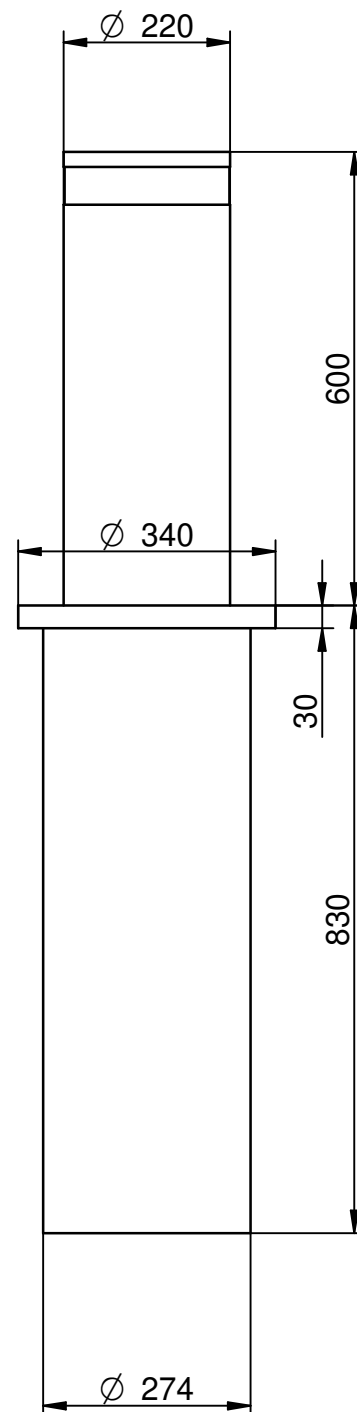


Height from ground level	600 mm
Pylon diameter	220 mm
Drawer dimensions	300x300x830 mm
Voltage	230V 50 Hz
Consumption	600 w
Motor power	300 W (3000 r.p.m)
Speed	90 mm/s 130mm/s
Temperature range	-20°C +80°C
IP degree of protection	IP67
Rise forec	1400 NW
Thickness	4 mm
Material and finish	Inox A304 satin
Rise time	4 seg.
Down time	4 seg.
Control panel	Waterlight metal cabinet I
Impact resistance	45.000 J
Security people and objects	Optional
Luminous crown	Yes (RGB 24v)
Traffic light function	Yes
Reflective band	Optional



Height from ground level	600 mm
Pylon diameter	220 mm
Drawer dimensions	300x300x830 mm
Voltage	230V 50 Hz
Consumption	700 w
Motor power	300 W (3000 r.p.m)
Speed	90 mm/s 130mm/s
Temperature range	-20°C +80°C
IP degree of protection	IP67
Rise force	1400 NW
Thickness	8 mm
Material and finish	Inox A304 satin
Rise time	4 seg.
Down time	4 seg.
Control panel	Waterlight metal cabinet
Impact resistance	100.000 J
Security people and objects	Optional
Luminous crown	yes (RGB 24v)
Traffic light function	yes
Reflective band	Optional



Height from ground level	600 mm
Pylon diameter	220 mm
Drawer dimensions	300x300x1060 mm
Voltage	230V 50 Hz
Consumption	700 w
Motor power	300 W (3000 r.p.m)
Speed	90 mm/s 130mm/s
Temperature range	-20°C +80°C
IP degree of protection	IP67
Rise force	1400 NW
Thickness	13 mm
Material and finish	Inox A304 satin
Rise time	4 seg.
Down time	4 seg.
Control panel	Waterlight metal cabinet
Impact resistance	250.000 J
Security people and objects	Optional
Luminous crown	yes (RGB 24v)
Traffic light function	yes
Reflective band	Optional

